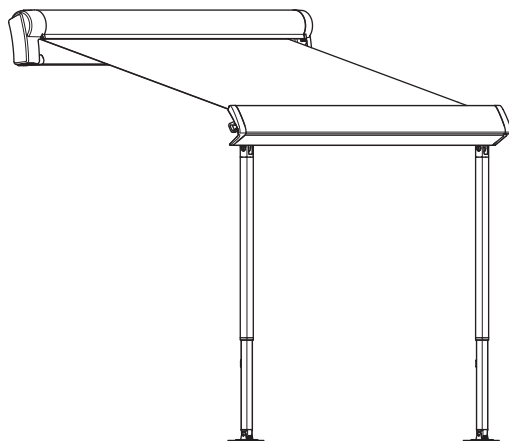
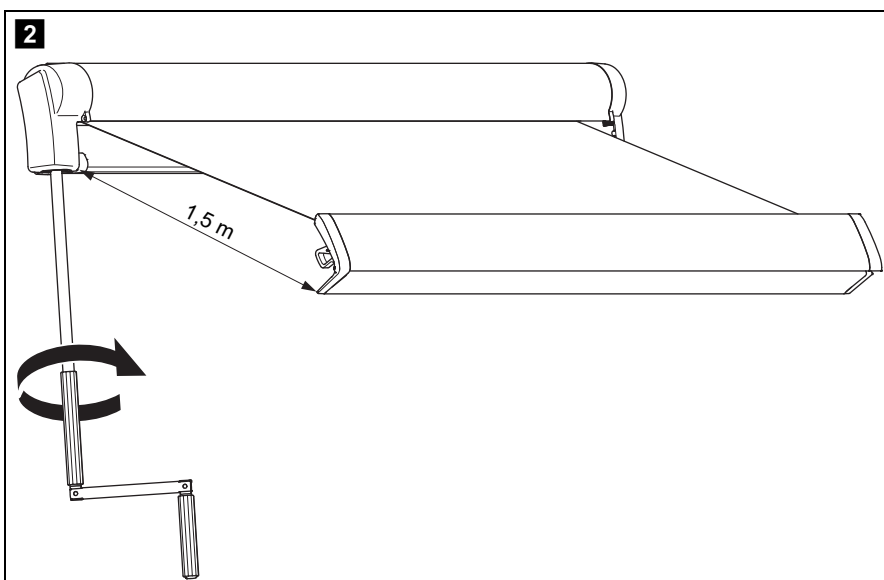
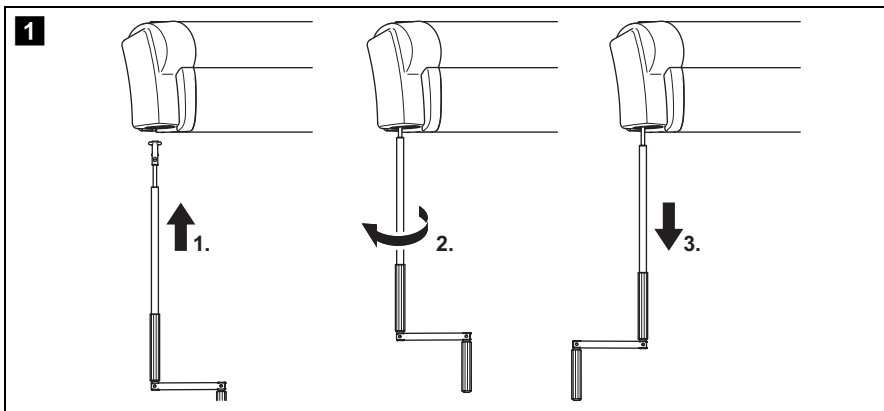


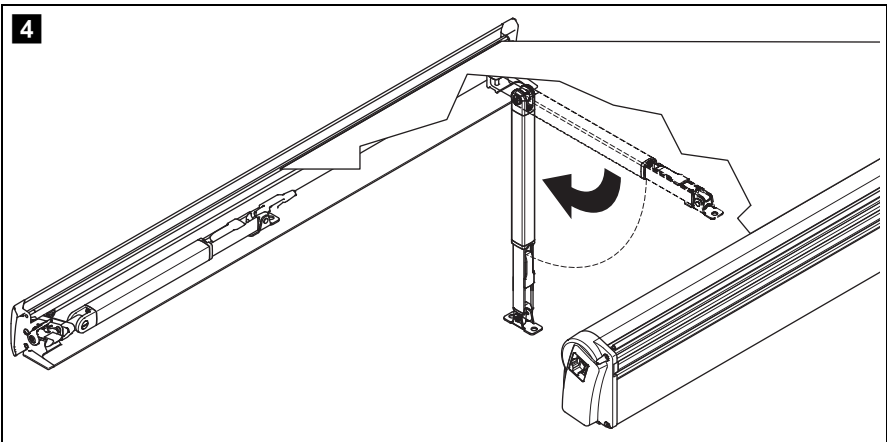
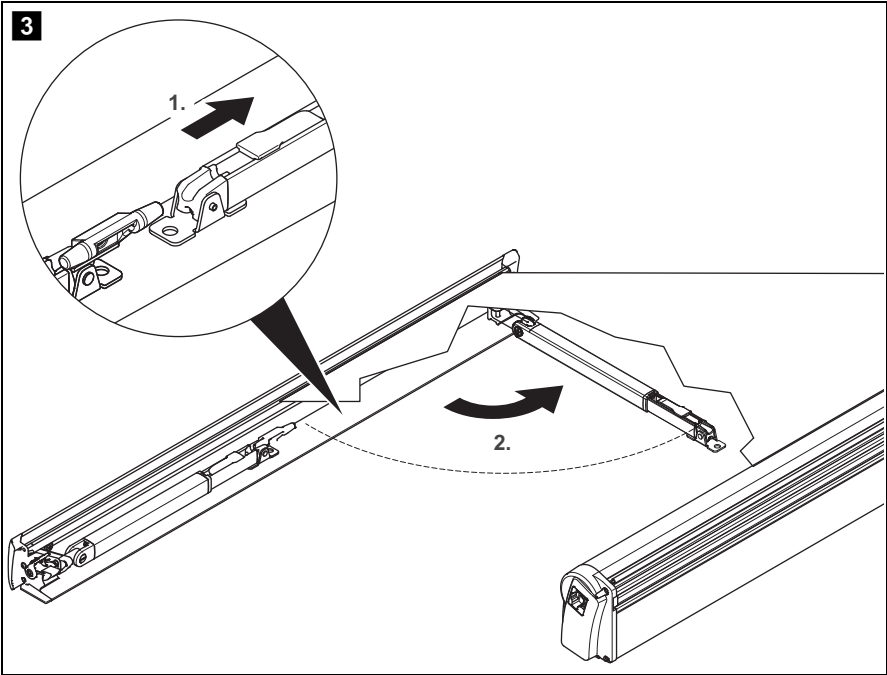
EN	Awning Operating manual	8
DE	Markise Bedienungsanleitung	20
FR	Store extérieur Notice d'utilisation	33
ES	Toldo Instrucciones de uso	45
IT	Tenda da sole Istruzioni per l'uso	57
NL	Zonnescherm Gebruiksaanwijzing	70
DA	Markise Betjeningsvejledning	83
SV	Markis Bruksanvisning	95
NO	Markise Bruksanvisning	107
FI	Markiisi Käyttöohje	119
PT	Toldo Manual de instruções.	131
RU	Маркиза Инструкция по эксплуатации.	143
PL	Markiza Instrukcja obsługi.	156

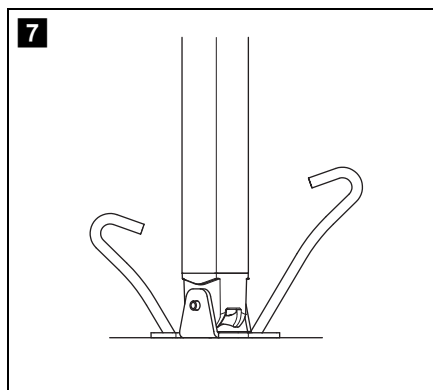
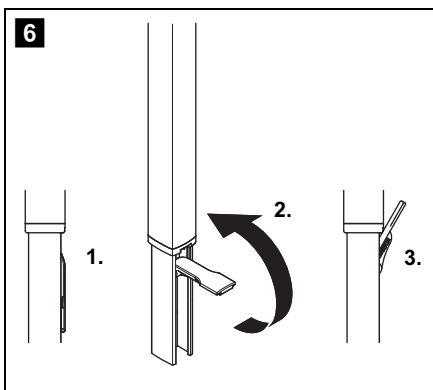
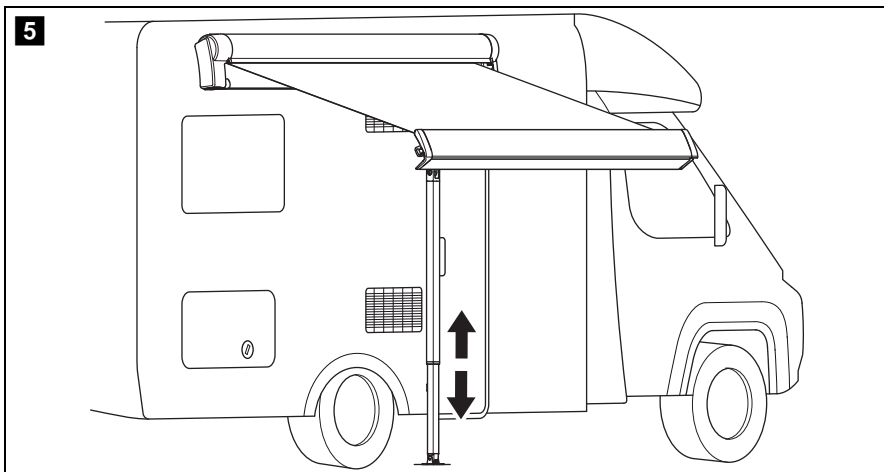


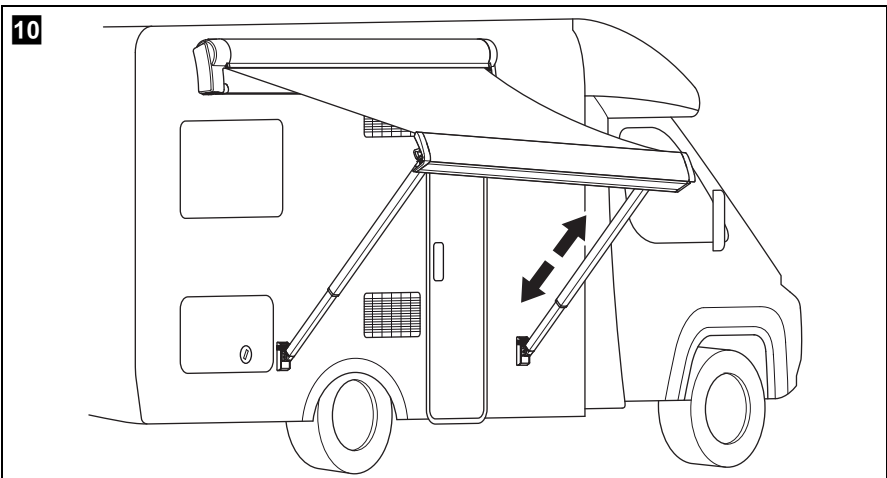
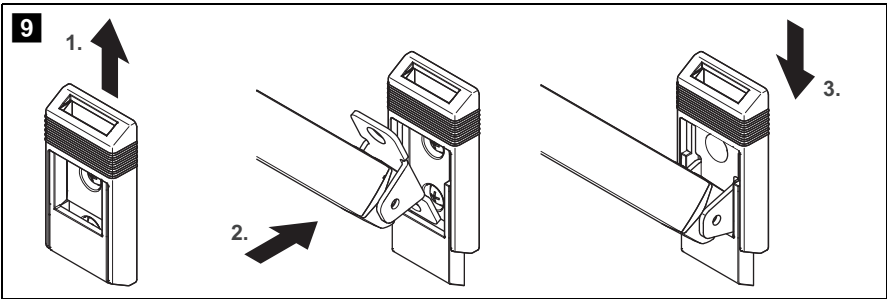
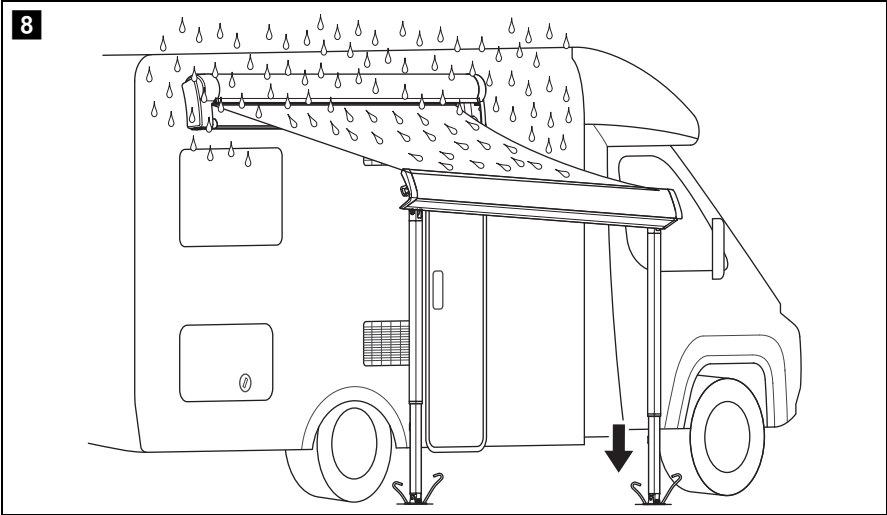
PerfectWall PW 1000, PW 1500

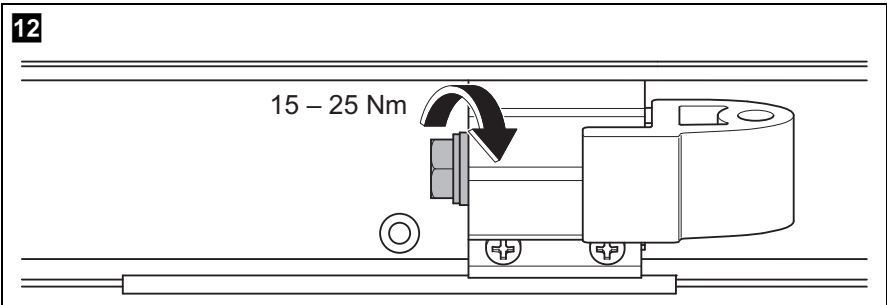
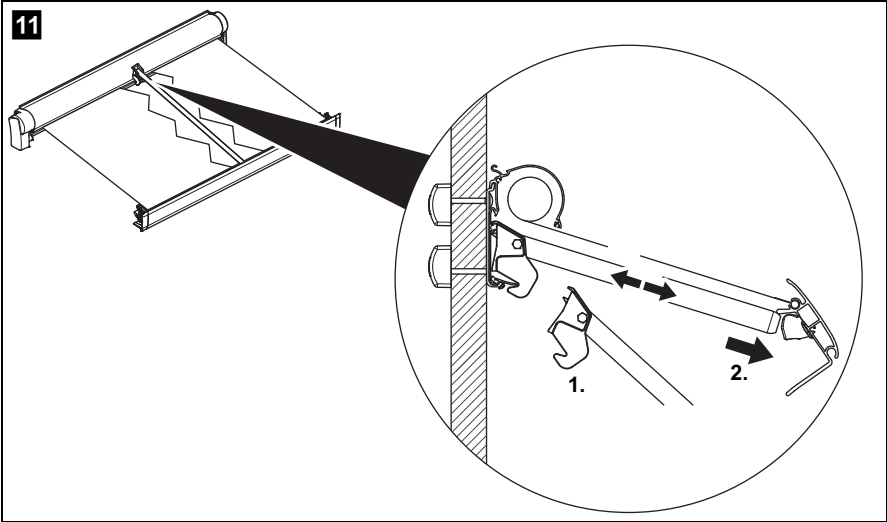
CS	Markýza Návod k obsluze.	168
SK	Markíza Návod na obsluhu.	180
HU	Védőtető Használati utasítás	192











**WARNING!**

- This operating manual must be read and understood before the device is set up, operated, cleaned or serviced.
- This device must be installed by a specialist. Improper installation can lead to serious injury. Alterations to the device can be extremely dangerous and lead to serious injury or damage to the device.
- Keep this operating manual with the device. The owner must read it carefully.

Table of contents

1	Notes on using the operating manual	9
2	Safety instructions	9
3	Scope of delivery	12
4	Accessories	12
5	Intended use	12
6	Technical description	12
7	Operating the awning	13
8	Cleaning and maintenance	16
9	Warranty	18
10	Disposal	18
11	Technical data	19

1 Notes on using the operating manual

**WARNING!**

Safety instruction: Failure to observe this instruction can cause fatal or serious injury.

**NOTICE!**

Failure to observe this instruction can cause material damage and impair the function of the product.

► **Action:** This symbol indicates that action is required on your part. The required action is described step-by-step.

✓ This symbol describes the result of an action.

Fig. 1 5, page 3: This refers to an element in an illustration. In this case, item 5 in figure 1 on page 3.

2 Safety instructions

Please observe the safety instructions and stipulations issued by the vehicle manufacturer and service workshops.

The manufacturer accepts no liability for damage in the following cases:

- Damage to the product resulting from mechanical influences and excess voltage
- Alterations to the product without express permission from the manufacturer
- Use for purposes other than those described in the operating manual

Please note the following warnings:**WARNING!**

- Before starting your journey, check that the awning is fully retracted. Never move the vehicle when the awning is open.
- Never drive with the crank inserted. Remove the crank before starting your journey.
- Do not drive the vehicle if the fabric is damaged or torn, even if the awning has been properly retracted. The awning arms are held in place by the fabric. If the fabric rips while driving, the awning will suddenly shoot out. This can lead to serious injury. Secure the awning so that it cannot extend suddenly and unexpectedly while driving.
- Do **not** open the awning while driving.
- Do **not** open the awning in strong winds or snowfall.
- Retract the awning if strong winds, heavy rain or snowfall are imminent.
- Make sure that water or snow does not accumulate on the fabric. Otherwise this could damage the awning or the awning arms could collapse and cause severe injury or fatality.
- Do not approach the awning
 - if it was left open during heavy winds
 - if pools of water have formed on it
 - if snow has accumulated on it
 - if any debris is on the awning fabric.The awning may move unexpectedly, become unstable and bend or break.
- Do not leave the extended awning unattended. Retract the awning before leaving your location.
- Keep a safe distance away from the awning when having barbecues or open fires. The fabric can be damaged by heat or catch fire.
- This device can be used by children aged 8 years or over, as well as by persons with diminished physical, sensory or mental capacities or a lack of experience and knowledge, providing they are supervised, or have been taught how to use the device safely and are aware of the resulting risks.
- Children must be supervised to ensure that they do not play with the device.

**NOTICE!**

- Park the motorhome or caravan so that no debris (branches, leaves or similar) can get onto the fabric.
- The fabric of the awning should not hang down at the edges but must be taut at all times. If the fabric hangs down, it could rub on the arms and get damaged.
The fabric should not sag in the middle with long awnings.
- Only retract the awning, when the fabric is free of debris (branches, leaves or similar). Otherwise the awning can be damaged when it is retracted.
- Keep the awning free of dirt to prevent abrasions, stains and mildew.
- Only retract the awning if it is wet for safety reasons. Extend it again as soon as possible. Otherwise, mildew or stains can form or the colour may fade.
- Never bend an awning arm or the cover down to drain water off the awning. This can bend the awning and impair its function.
- Do not hang any objects on the awning, on the front cover or the awning arms.
- Do not use any sprays (e. g. insect repellent, hairspray) near the awning. This will soil the fabric or the water-repellent effect of the fabric will be lost.
- If there is insufficient space above the door after the awning is mounted, the door must remain closed when retracting or extending to avoid the door making contact with the arms or the front panel.
The required space depends on the design of the door (door width, swing or sliding door) as well as the set awning angle of inclination.

3 Scope of delivery

Quantity	Designation
1	Awning
1	Operation manual
1	Installation manual

4 Accessories

Available as accessories (not included in the scope of delivery):

Description	Item number
Dometic Light LK120 LED lighting with remote control for fitting on the awning arms	9106504018
Tie Down Kit Straps for anchoring the awning	9103104000

5 Intended use

The awnings PerfectWall PW 1000 and PW 1500 are suitable for installing on motorhomes or caravans.

The awnings shall only be used when the vehicle is stationary.

6 Technical description

The PerfectWall PW 1000 and PW 1500 are awnings which can be extended and retracted using a hand crank. The awnings are secured on the side of the vehicle or on the ground with struts.

7 Operating the awning

Observe the safety instructions in chapter “Safety instructions” on page 9.

7.1 Note on the vehicle location



NOTICE!

- Park the vehicle so that no debris (branches, leaves or similar) gets on to the fabric.
- Keep the awning free of dirt to prevent abrasions, stains and mildew.

7.2 Extending the awning



WARNING! Beware of injury

Keep a sufficient distance from objects or other vehicles. Once it is retracted, it should be at least 40 cm away from other objects and vehicles.

- Click the hand crank into the holder in the awning (fig. **1**, page 3).
- Turn the hand crank until the awning is extended by about 1.5 m (fig. **2**, page 3).
- Slide the right strut into the front cover completely together so that you can move them freely (fig. **3**, page 4).
- Turn the right strut to the side (fig. **3**, page 4).
- Fold the right strut down and set it on the ground (fig. **4**, page 4).
- Adjust the strut to the required height (fig. **5**, page 5).
- Fold the lever of the strut up to secure the struts (fig. **6**, page 5).
- Extend the other strut in the same way.
- Turn the hand crank until the awning is extended to the required position. Position the strut vertically under the front cover regularly so that the awning stays secured at all times.
- Turn the hand crank approx. a quarter of the way back to tighten the fabric.

**NOTICE! Risk of damage!**

The fabric of the awning should not hang down at the edges but must be taut at all times. If the fabric hangs down, it could rub on the arms and get damaged.

The fabric should not sag in the middle with long awnings.

- ▶ Remove the hand crank from the holder on the awning.

Positioning the struts on the ground**WARNING! Beware of injury**

- Only position the struts on solid ground.
- Secure the struts from slipping.

- ▶ Position the struts vertically underneath the front panel.
- ▶ Secure the struts with pegs (fig. **7**, page 5).
- ▶ Position one of the struts slightly deeper so that the front panel hangs at an angle. This allows rain to run off easier (fig. **8**, page 6).

Securing the struts on the vehicle

You can secure the awning on your vehicle directly if you have already mounted the latches for the struts.

- ▶ Slide the cover of the latch up (fig. **9**, page 6).
- ▶ Fit the strut into the latch (fig. **9**, page 6).
- ▶ Slide the cover of the latch down (fig. **9**, page 6).
- ▶ Position one of the struts slightly deeper so that the front panel hangs at an angle. This allows rain to run off easier (fig. **10**, page 6).

Mounting the tensioning arm

Awnings with a length of 4 m or more need to have a tensioning arm fitted in the middle of the awning. This prevents the awning from sagging.

- ▶ Slide in the tensioning rod (fig. **11**, page 7).
- ▶ Fit the top end of the tensioning arm into the attachment on the housing (fig. **11**, page 7).
- ▶ Slide the other end of the tensioning arm into the attachment in the front panel (fig. **11**, page 7).

7.3 Retracting the awning



NOTICE!

- Only retract the awning, when the fabric is free of debris (branches, leaves or similar). Otherwise, the awning can be damaged when it is retracted.
- Keep the awning free of dirt to prevent abrasions, stains and mildew.
- When retracting the awning, make sure that any branches or other objects are not trapped in it.

- Remove any debris (branches, leaves or similar) lying on the fabric.
- Loosen the struts from the fastenings (pegs or latches on the vehicle).
- Click the top end of the hand crank into the holder in the awning.
- Turn the hand crank until the awning is extended by only about 1.5 m. Position the struts vertically under the front panel regularly so that the awning stays secured at all times.
- Fold the lever of the right strut down to loosen the struts.
- Slide the struts together completely.
- Fold the right strut up.
- Turn the right strut into the front panel.
- Slide the bottom part of the right strut into the latch of the front panel.
- Extend the other strut in the same way.
- Turn the hand crank until the awning is fully retracted.
- Double-check that the awning is fully retracted before starting your journey. The front panel should rest closely alongside the housing.
- Remove the hand crank from the holder on the awning.



NOTICE! Risk of damage!

If the awning is retracted when wet, extend it again at the next opportunity and let the fabric dry out. If the wet fabric stays rolled up for a long time it becomes mildewed and can fade.

8 Cleaning and maintenance

8.1 Cleaning

**NOTICE! Risk of damage!**

- **Never** clean the awning with a high-pressure cleaner.
- Do not use abrasive cleaning agents or hard objects during cleaning, as these can damage the product.

- Remove any debris (twigs, leaves or similar) lying on the awning fabric to prevent abrasions, stains and mildew. The awning can also get damaged when it is retracted.
- Clean the awning fabric regularly to remove any dirt and dust:
 - To do this, use water with 30 ml detergent and 30 ml bleach for 10 l of water.
 - Soap down the fabric and leave the liquid to soak in for five minutes.
 - Rinse thoroughly with clean water.
Make sure that the detergent with the bleach is completely washed off. Otherwise it can damage the fabric.
 - Leave the fabric to dry.

**NOTE**

The manufacturer recommends:

- To clean the cloth, use the Dometic Clean&Care awning cleaner (item no. 9103501116, available from your service partner).

8.2 Lubricating

- If required, lubricate the joints of the awning with paraffin wax, teflon oil or silicone oil.

8.3 Checking

**WARNING!**

Do not use the awning if any settings or maintenance work are required.

If you discover any damage, please contact the service partner in the respective country (see addresses on the back of the manual).

- Check the awning regularly for any imbalance and wear, as well as damage to major parts.
- Check the awning regularly:
 - Is the fabric free of damage?
 - Are the arms and front panel free of damage with no signs of wear?
 - Does the awning close properly?

8.4 Tightening the screws on the hinges

The screws on the hinges must be tightened up after being used for the first time:

- after the first holiday using the awning
- after driving 20000 km or six months after the awning was mounted (whichever occurs first)

The screws on the hinge also need to be checked during the routine vehicle inspection.

Contact your service partner to tighten up the screws.

Instructions for servicing (fig. 12, page 7)

**NOTICE!**

The awning arms must not bear any load. This is to prevent the fastening torque of the screws from being distorted.

- Lift up the front panel slightly so that the hinge does not bear any load.
- Tighten the screws with 15 – 25 Nm.

8.5 Patching small holes in the fabric

You can patch any small holes in the fabric or parts where the coating has come off:

- ▶ Use a cotton cloth to rub around the damaged area with a small amount of liquid vinyl plaster (item no. 9103104018, available from your service partner).
- ✓ The liquid vinyl plaster dissolves the coating. The coating seals the hole when it dries.
- ▶ Wait until the area is dry before you retract the awning again.

9 Warranty

The statutory warranty period applies. If the product is defective, please contact your retailer or the manufacturer's branch in your country (see the back of the instruction manual for the addresses).

For repair and guarantee processing, please include the following documents when you send in the device:

- A copy of the receipt with purchasing date
- A reason for the claim or description of the fault

10 Disposal

- ▶ Place the packaging material in the appropriate recycling waste bins wherever possible.



If you wish to finally dispose of the product, ask your local recycling centre or specialist dealer for details about how to do this in accordance with the applicable disposal regulations.

11 Technical data

	PerfectWall PW1000				
Width:	2.6 m	3 m	3.5 m	4 m	4.5 m
Extended:	2.5 m				
Weight:	18.6 kg	21 kg	24 kg	27 kg	30 kg

	PerfectWall PW1500			
Width:	1.5 m	2.6 m	3 m	3.5 m
Extended:	1 m	2 m	2.5 m	2.5 m / 2.75 m
Weight:	12 kg	18 kg	21 kg	24 kg

	PerfectWall PW1500			
Width:	4 m	4.5 m	5 m	5.5 m
Extended:	2.5 m / 2.75 m			
Weight:	27 kg	30 kg	33 kg	36 kg

**WARNUNG!**

- Diese Anleitung muss vor der Benutzung, der Reinigung und Wartung gelesen und verstanden werden.
- Dieses Produkt muss von einer Fachkraft montiert werden. Eine fehlerhafte Montage kann zu schweren Verletzungen führen. Umbauten am Produkt können äußerst gefährlich werden und zu schweren Verletzungen oder zu Geräteschäden führen.
- Diese Anleitung muss beim Produkt verbleiben. Der Besitzer muss sie aufmerksam lesen.

Inhaltsverzeichnis

1	Hinweise zur Benutzung der Anleitung	21
2	Sicherheitshinweise	21
3	Lieferumfang	24
4	Zubehör	24
5	Bestimmungsgemäßer Gebrauch	24
6	Technische Beschreibung	24
7	Markise bedienen.	25
8	Reinigung und Pflege.	29
9	Gewährleistung	31
10	Entsorgung.	31
11	Technische Daten	32

1 Hinweise zur Benutzung der Anleitung



WARNUNG!

Sicherheitshinweis: Nichtbeachtung kann zu Tod oder schwerer Verletzung führen.



ACHTUNG!

Nichtbeachtung kann zu Materialschäden führen und die Funktion des Produktes beeinträchtigen.

- ▶ **Handlung:** Dieses Symbol zeigt Ihnen, dass Sie etwas tun müssen. Die erforderlichen Handlungen werden Schritt für Schritt beschrieben.
- ✓ Dieses Symbol beschreibt das Ergebnis einer Handlung.

Abb. 1 5, Seite 3: Diese Angabe weist Sie auf ein Element in einer Abbildung hin, in diesem Beispiel auf „Position 5 in Abbildung 1 auf Seite 3“.

2 Sicherheitshinweise

Beachten Sie die vom Fahrzeughersteller und vom Kfz-Handwerk vorgeschriebenen Sicherheitshinweise und Auflagen!

Der Hersteller übernimmt in folgenden Fällen keine Haftung für Schäden:

- Beschädigungen am Produkt durch mechanische Einflüsse und Überspannungen
- Veränderungen am Produkt ohne ausdrückliche Genehmigung vom Hersteller
- Verwendung für andere als die in der Anleitung beschriebenen Zwecke

Beachten Sie folgende Warnhinweise:



WARNUNG!

- Kontrollieren Sie vor Fahrtantritt, ob die Markise vollständig eingefahren ist. Bewegen Sie nie bei geöffneter Markise das Fahrzeug.
- Fahren Sie nie mit eingehängter Kurbel. Nehmen Sie die Kurbel vor Fahrtantritt ab.

- Fahren Sie das Fahrzeug nicht, wenn das Tuch beschädigt oder eingerissen ist, auch wenn die Markise ordnungsgemäß geschlossen ist! Die Markisenarme werden durch das Tuch gehalten. Wenn das Tuch beim Fahren reißt, schnellt die Markise plötzlich heraus. Das kann zu schweren Verletzungen führen. Sichern Sie die Markise so, dass sie während der Fahrt nicht plötzlich und unerwartet ausfahren kann.
- Öffnen Sie die Markise **nicht** während der Fahrt.
- Öffnen Sie die Markise **nicht** bei starken Wind oder Schneefall.
- Fahren Sie die Markise ein, wenn starker Wind, starker Regen oder Schneefall zu erwarten sind.
- Achten Sie darauf, dass sich kein Wasser oder Schnee auf dem Tuch ansammelt. Anderenfalls kann die Markise beschädigt werden oder die Markisenarme können abbrechen und so schwere Verletzungen oder Tod verursachen.
- Nähern Sie sich nicht der Markise,
 - wenn sie während heftigem Wind offengelassen wurde,
 - wenn sich Wasserlachen auf ihr gebildet haben,
 - wenn sich Schnee angehäuft hat,
 - wenn sich viel grober Schmutz auf dem Markisentuch befindet.Die Markise kann sich unerwartet bewegen, instabil werden und sich verbiegen oder abbrechen.
- Lassen Sie die ausgefahrene Markise nicht unbeaufsichtigt. Fahren Sie die Markise ein, bevor Sie Ihren Standplatz verlassen.
- Halten Sie beim Grillen mit offenem Feuer Abstand von der Markise. Das Tuch kann durch die Hitze beschädigt werden oder in Brand geraten.
- Dieses Gerät kann von Kindern ab 8 Jahren und darüber sowie von Personen mit verringerten physischen, sensorischen oder mentalen Fähigkeiten oder Mangel an Erfahrung und Wissen benutzt werden, wenn sie beaufsichtigt oder bezüglich des sicheren Gebrauchs des Gerätes unterwiesen wurden und die daraus resultierenden Gefahren verstehen.
- Kinder sollten beaufsichtigt werden, um sicherzustellen, dass sie nicht mit dem Gerät spielen.

**ACHTUNG!**

- Stellen Sie das Wohnmobil oder den Wohnwagen so auf, dass kein Schmutz (Zweige, Blätter oder ähnliches) auf das Tuch geraten können.
- Das Tuch der Markise darf an den Rändern nicht durchhängen, sondern muss stets straff sein. Wenn das Tuch durchhängt, kann es auf den Armen scheuern und beschädigt werden. Bei langen Markisen darf das Tuch in der Mitte durchhängen.
- Fahren Sie die Markise nur ein, wenn kein Schmutz (Zweige, Blätter oder ähnliches) auf dem Tuch liegt. Beim Einfahren kann sonst die Markise beschädigt werden.
- Halten Sie die Markise frei von Schmutz, um Abschürfungen, Flecken und Schimmel zu verhindern.
- Fahren Sie die Markise nur aus Sicherheitsgründen nass ein. Fahren Sie sie so bald wie möglich wieder aus. Anderenfalls können sich Schimmel oder Flecken bilden, oder die Farbe kann ausbleichen.
- Biegen Sie nie einen Markisenarm oder die Blende herunter, um Wasser auf der Markise ablaufen zu lassen. Die Markise kann sich dadurch verbiegen und ihre Funktion wird beeinträchtigt.
- Hängen Sie keine Gegenstände an die Markise, weder an die Frontblende, noch an die Markisenarme.
- Benutzen Sie keine Sprays (z. B. Insektenspray, Haarspray) in der Nähe der Markise. Das Tuch wird dadurch beschmutzt oder der Abperleffekt des Tuches kann dadurch verloren gehen.
- Falls nach dem Einbau der Markise kein ausreichender Freiraum über der Tür verbleibt, muss die Tür während des Ein- oder Ausfahrens geschlossen bleiben, um einen Kontakt der Tür mit den Armen oder der Frontleiste zu vermeiden. Der benötigte Freiraum hängt von der Bauart der Tür (Türbreite, Schwenk- oder Schiebetür) sowie dem eingestellten Neigungswinkel der Markise ab.

3 Lieferumfang

Anzahl	Bezeichnung
1	Markise
1	Bedienungsanleitung
1	Montageanleitung

4 Zubehör

Als Zubehör erhältlich (nicht im Lieferumfang enthalten):

Bezeichnung	Artikelnummer
Dometic Light LK120 LED-Beleuchtung mit Fernbedienung zur Montage an die Markisenarme	9106504018
Tie Down Kit Gurte zum Abspannen der Markise	9103104000

5 Bestimmungsgemäßer Gebrauch

Die Markisen PerfectWall PW1000 und PW1500 sind geeignet zum Anbau an Wohnmobile oder Wohnwagen.

Die Markisen dürfen nur im Stand benutzt werden.

6 Technische Beschreibung

PerfectWall PW1000 und PW1500 sind Markisen, die mit Hilfe einer Handkurbel ein- und ausgefahren werden können. Die Markisen werden mit Stützen an der Fahrzeugwand oder auf dem Boden gesichert.

7 Markise bedienen

Beachten Sie auch die Sicherheitshinweise im Kapitel „Sicherheitshinweise“ auf Seite 21!

7.1 Hinweise zum Standort des Fahrzeugs



ACHTUNG!

- Stellen Sie das Fahrzeug so auf, dass kein Schmutz (Zweige, Blätter oder ähnliches) auf das Tuch geraten können.
- Halten Sie die Markise frei von Schmutz, um Abschürfungen, Flecken und Schimmel zu verhindern.

7.2 Markise ausfahren



WARNUNG! Verletzungsgefahr!

Halten Sie genügend Abstand zu Gegenständen oder anderen Fahrzeugen. Nach dem Ausfahren muss ringsum ein Mindestabstand zu anderen Gegenständen oder Fahrzeugen von 40 cm sein.

- Rasten Sie die Handkurbel in die Aufnahme der Markise ein (Abb. **1**, Seite 3).
- Drehen Sie die Handkurbel, bis die Markise ungefähr 1,5 m weit ausgefahren ist (Abb. **2**, Seite 3).
- Schieben Sie die rechte Stütze in der Frontblende vollständig zusammen, sodass Sie sie frei bewegen können (Abb. **3**, Seite 4).
- Drehen Sie die rechte Stütze zur Seite (Abb. **3**, Seite 4).
- Klappen Sie die rechte Stütze nach unten weg und stellen sie auf dem Boden auf (Abb. **4**, Seite 4).
- Stellen Sie die Stütze auf die gewünschte Höhe ein (Abb. **5**, Seite 5).
- Klappen Sie den Hebel der Stütze nach oben, um die Stütze zu fixieren (Abb. **6**, Seite 5).
- Fahren Sie die andere Stütze genauso aus.
- Drehen Sie die Handkurbel, bis die Markise in die gewünschte Stellung ausgefahren ist. Stellen Sie die Stütze regelmäßig senkrecht unter die Frontblende, sodass die Markise jederzeit sicher gehalten wird.

- Drehen Sie die Handkurbel ca. eine 1/4 Umdrehung zurück, damit das Tuch gespannt wird.

**ACHTUNG! Beschädigungsgefahr!**

Das Tuch der Markise darf an den Rändern nicht durchhängen, sondern muss stets straff sein. Wenn das Tuch durchhängt, kann es auf den Armen scheuern und beschädigt werden. Bei langen Markisen darf das Tuch in der Mitte durchhängen.

- Hängen Sie die Handkurbel aus der Aufnahme der Markise aus.

Stütze auf dem Boden aufstellen**WARNUNG! Verletzungsgefahr**

- Stellen Sie die Stütze ausschließlich auf festem Untergrund auf.
- Sichern Sie die Stütze gegen Wegrutschen.

- Stellen Sie die Stütze senkrecht unterhalb der Frontblende auf.
- Sichern Sie die Stütze mit Heringen (Abb. **7**, Seite 5).
- Stellen Sie eine Stütze etwas tiefer ein, damit die Frontblende leicht schräg hängt. So kann leichter Regen direkt ablaufen (Abb. **8**, Seite 6).

Stütze am Fahrzeug befestigen

Sie können die Markise direkt an Ihrem Fahrzeug befestigen, wenn Sie die Arretierungen für die Stützen montiert haben.

- Schieben Sie die Abdeckung der Arretierung nach oben (Abb. **9**, Seite 6).
- Hängen Sie die Stütze in die Arretierung ein (Abb. **9**, Seite 6).
- Schieben Sie die Abdeckung der Arretierung nach unten (Abb. **9**, Seite 6).
- Stellen Sie eine Stütze etwas tiefer ein, damit die Frontblende leicht schräg hängt. So kann leichter Regen direkt ablaufen (Abb. **10**, Seite 6).

Spannstange montieren

Bei Markisen mit einer Länge von 4 m oder mehr muss eine Spannstange in der Mitte der Markise befestigt werden. Dadurch wird verhindert, dass die Markise durchhängt.

- Schieben Sie die Spannstange zusammen (Abb. **11**, Seite 7).
- Rasten Sie das obere Ende der Spannstange in die Aufnahmevorrichtung am Gehäuse ein (Abb. **11**, Seite 7).
- Schieben Sie das andere Ende der Spannstange in die Aufnahmevorrichtung in der Frontblende (Abb. **11**, Seite 7).

7.3 Markise einfahren



ACHTUNG!

- Fahren Sie die Markise nur ein, wenn kein Schmutz (Zweige, Blätter oder ähnliches) auf dem Tuch liegt. Beim Einfahren kann sonst die Markise beschädigt werden
 - Halten Sie die Markise frei von Schmutz, um Abschürfungen, Flecken und Schimmel zu verhindern.
 - Achten Sie beim Einfahren der Markise darauf, dass keine Äste oder anderen Gegenstände eingeklemmt werden.
-
- Entfernen Sie Schmutz (Zweige, Blätter oder ähnliches), der auf dem Tuch liegt.
 - Lösen Sie die Befestigung der Stützen (Heringe oder Arretierung am Fahrzeug).
 - Rasten Sie das obere Ende der Handkurbel in die Aufnahme der Markise ein.
 - Drehen Sie die Handkurbel, bis die Markise nur noch ungefähr 1,5 m weit ausgefahren ist. Stellen Sie die Stützen regelmäßig senkrecht unter die Frontblende, sodass die Markise jederzeit sicher gehalten wird.
 - Klappen Sie den Hebel der rechten Stütze nach unten, um die Stütze zu lösen.
 - Schieben Sie die Stütze vollständig zusammen.
 - Klappen Sie die rechte Stütze nach oben.
 - Drehen Sie die rechte Stütze in die Frontblende.

- Schieben Sie den unteren Teil der rechten Stütze in die Arretierung der Frontblende.
- Fahren Sie die andere Stütze genauso ein.
- Drehen Sie die Handkurbel, bis die Markise vollständig eingefahren ist.
- Überzeugen Sie sich davon, dass die Markise vollständig eingefahren ist, bevor Sie losfahren. Die Frontblende muss eng am Gehäuse anliegen.
- Hängen Sie die Handkurbel aus der Aufnahme der Markise aus.

***ACHTUNG! Beschädigungsgefahr!***

Wenn die Markise in nassem Zustand eingefahren wurde, fahren Sie sie bei der nächsten Gelegenheit wieder aus und lassen Sie das Tuch trocknen. Wenn das nasse Tuch längere Zeit eingerollt bleibt, wird es stockig und die Farben können ausbleichen.

8 Reinigung und Pflege

8.1 Reinigen



ACHTUNG! Beschädigungsgefahr!

- Reinigen Sie die Markise **nie** mit einem Hochdruckreiniger.
- Verwenden Sie zur Reinigung keine scharfen Reinigungsmittel oder harten Gegenstände, da diese das Produkt beschädigen können.

- Entfernen Sie jeglichen Schmutz (Zweige, Blätter oder ähnliches), der auf dem Tuch liegt, um Abschürfungen, Flecken und Schimmel zu vermeiden. Außerdem kann die Markise beschädigt werden, wenn sie eingefahren wird.
- Reinigen Sie regelmäßig das Tuch der Markise, um Staub und Dreck zu entfernen:
 - Verwenden Sie dazu Wasser mit 30 g Spülmittel und 30 g Bleichmittel auf 10 l Wasser.
 - Seifen Sie das Tuch damit ein und lassen Sie die Reinigungsflüssigkeit fünf Minuten einwirken.
 - Spülen Sie gründlich mit klarem Wasser nach. Stellen Sie sicher, dass die Reinigungsflüssigkeit mit dem Bleichmittel komplett abgewaschen ist. Anderenfalls kann das Tuch beschädigt werden.
 - Lassen Sie das Tuch trocknen.



HINWEIS

Der Hersteller empfiehlt:

- Verwenden Sie zur Reinigung des Tuchs den Dometic Clean&Care Markisen-Reiniger (Art.-Nr. 9103501116, erhältlich über Ihren Service-Partner).

8.2 Schmierien

- Schmierien Sie bei Bedarf die Gelenke der Markise mit einem Parafinwachs, Teflon- oder Silikonöl.

8.3 Kontrollieren



WARNUNG!

Benutzen Sie die Markise nicht, wenn Einstellungen oder Reparaturen notwendig sind.

Wenn Sie Beschädigungen feststellen, wenden Sie sich bitte an den Service-Partner im jeweiligen Land (Adressen siehe Rückseite der Anleitung).

- Untersuchen Sie die Markise regelmäßig auf Unwuchten und Abnutzung sowie auf Beschädigungen an kritischen Teilen.
- Kontrollieren Sie die Markise regelmäßig:
 - Ist das Tuch unbeschädigt?
 - Sind die Arme und die Frontblende unbeschädigt und ohne Verschleißspuren?
 - Schließt die Markise korrekt?

8.4 Schrauben der Schultergelenke nachziehen

Die Schrauben am Schultergelenk müssen nach ersten Belastungen nachgezogen werden:

- nach dem ersten Urlaub mit Markisennutzung
- nach 20000 km Fahrleistung oder sechs Monaten nach Einbau der Markise (je nachdem, was zuerst eintrifft)

Außerdem sollten die Schrauben am Schultergelenk bei der regelmäßigen Fahrzeuginspektion kontrolliert werden.

Wenden Sie sich zum Nachziehen der Schrauben an Ihren Service-Partner.

Anweisung für den Service (Abb. 12, Seite 7)



ACHTUNG!

Die Markisenarme müssen lastfrei sein, damit das Anzugsmoment der Schrauben nicht verfälscht wird.

- Heben Sie die Frontleiste leicht an, damit die Gelenke lastfrei sind.
- Ziehen Sie die Schrauben mit 15 – 25 Nm nach.

8.5 Kleine Löcher im Tuch flicken

Kleine Löcher im Tuch oder Stellen, an denen sich die Beschichtung löst, können Sie selber flicken:

- ▶ Verreiben Sie mit einem Baumwolllappen rund um die beschädigte Stelle ein bisschen flüssiges Vinylpflaster (Art.-Nr. 9103104018, erhältlich über Ihren Service-Partner).
- ✓ Das flüssige Vinylpflaster löst die Beschichtung an. Die Beschichtung schließt das Loch beim Trocknen.
- ▶ Warten Sie, bis die Stelle getrocknet ist, bevor Sie die Markise wieder einfahren.

9 Gewährleistung

Es gilt die gesetzliche Gewährleistungsfrist. Sollte das Produkt defekt sein, wenden Sie sich bitte an Ihren Fachhändler oder an die Niederlassung des Herstellers in Ihrem Land (Adressen siehe Rückseite der Anleitung).

Zur Reparatur- bzw. Gewährleistungsbearbeitung müssen Sie folgende Unterlagen mitschicken:

- eine Kopie der Rechnung mit Kaufdatum,
- einen Reklamationsgrund oder eine Fehlerbeschreibung.

10 Entsorgung

- ▶ Geben Sie das Verpackungsmaterial möglichst in den entsprechenden Recycling-Müll.



Wenn Sie das Produkt endgültig außer Betrieb nehmen, informieren Sie sich bitte beim nächsten Recyclingcenter oder bei Ihrem Fachhändler über die zutreffenden Entsorgungsvorschriften.

11 Technische Daten

PerfectWall PW1000					
Breite:	2,6 m	3 m	3,5 m	4 m	4,5 m
Auszug:	2,5 m				
Gewicht:	18,6 kg	21 kg	24 kg	27 kg	30 kg

PerfectWall PW1500				
Breite:	1,5 m	2,6 m	3 m	3,5 m
Auszug:	1 m	2 m	2,5 m	2,5 m / 2,75 m
Gewicht:	12 kg	18 kg	21 kg	24 kg

PerfectWall PW1500				
Breite:	4 m	4,5 m	5 m	5,5 m
Auszug:	2,5 m / 2,75 m			
Gewicht:	27 kg	30 kg	33 kg	36 kg



AVERTISSEMENT !

- Ce manuel doit être lu et compris avant l'utilisation, la mise en place, le nettoyage et la maintenance.
- Cet appareil doit être installé par un technicien agréé. Une installation erronée peut entraîner de graves blessures. Des modifications de l'appareil peuvent s'avérer extrêmement dangereuses et provoquer de graves blessures ou des dommages de l'appareil.
- Ce manuel doit rester à proximité de l'appareil. Le propriétaire doit le lire attentivement.

Sommaire

1	Remarques concernant l'utilisation de ce manuel	34
2	Consignes de sécurité	34
3	Pièces fournies	37
4	Accessoires	37
5	Usage conforme.	37
6	Description technique	37
7	Utilisation du store extérieur	38
8	Entretien et nettoyage	41
9	Garantie	43
10	Retraitement	43
11	Caractéristiques techniques.	44

1 Remarques concernant l'utilisation de ce manuel



AVERTISSEMENT !

Consigne de sécurité : le non-respect de ces consignes peut entraîner la mort ou de graves blessures.



AVIS !

Le non-respect de ces consignes peut entraîner des dommages matériels et des dysfonctionnements du produit.

► **Manipulation** : ce symbole vous indique une action à effectuer. Les manipulations à effectuer sont décrites étape par étape.

✓ Ce symbole décrit le résultat d'une manipulation.

Fig. 1 5, page 3 : cette information renvoie à un élément figurant sur une illustration, dans cet exemple à la « position 5 de l'illustration 1 à la page 3 ».

2 Consignes de sécurité

Respectez les consignes de sécurité et autres prescriptions imposées par le fabricant du véhicule et par les professionnels de l'automobile !

Le fabricant décline toute responsabilité pour des dommages dans les cas suivants :

- des influences mécaniques et des surtensions ayant endommagé le matériel
- des modifications apportées au produit sans autorisation explicite de la part du fabricant
- une utilisation différente de celle décrite dans la notice

Tenez compte des avertissements suivants :**AVERTISSEMENT !**

- Vérifiez avant le départ que le store extérieur est complètement replié. Ne déplacez jamais le véhicule lorsque le store extérieur est ouvert.
- Ne conduisez jamais lorsque la manivelle est accrochée. Retirez la manivelle avant de partir.
- Ne conduisez pas le véhicule lorsque le tissu est endommagé ou déchiré, même si le store extérieur est correctement fermé ! Les bras du store extérieur sont maintenus par le tissu. Si le tissu se déchire pendant la conduite, le store extérieur risque de sortir d'un coup. Cela peut entraîner de graves blessures. Bloquez le store extérieur de telle sorte qu'il ne puisse se déplier soudainement et de manière inattendue pendant le trajet.
- **N'ouvrez pas** le store extérieur pendant le trajet.
- **N'ouvrez pas** le store extérieur en cas de fort vent ou de fortes chutes de neige.
- Repliez le store extérieur en cas de prévision de fort vent, de forte pluie ou de fortes chutes de neige.
- Veillez à ce que de l'eau ou de la neige ne s'accumule pas sur le tissu. Cela pourrait endommager le store extérieur ou casser les bras du store extérieur et provoquer de graves blessures ou la mort.
- Ne vous approchez pas du store extérieur,
 - s'il est resté ouvert par fort vent,
 - si des flaques d'eau se sont formées dessus,
 - si de la neige s'est accumulée,
 - s'il y a beaucoup de saletés sur la toile du store.Le store extérieur peut se déplacer de manière inattendue, devenir instable et se courber ou se casser.
- Ne laissez pas le store extérieur déplié sans surveillance. Repliez le store extérieur avant de quitter votre emplacement.
- Lorsque vous faites des grillades sur des flammes nues, restez à distance du store extérieur. Le tissu peut être endommagé par la chaleur ou même prendre feu.

- Les enfants âgés de 8 ans et plus ainsi que les personnes ayant des déficiences physiques, sensorielles ou mentales ou un manque d'expérience ou de connaissances peuvent utiliser ce produit à condition d'être sous surveillance ou d'avoir reçu des instructions concernant l'utilisation de l'appareil en toute sécurité et de comprendre les dangers qui en résultent.
- Les enfants doivent être surveillés pour s'assurer qu'ils ne jouent pas avec l'appareil.

**AVIS !**

- Installez le camping-car ou la caravane de telle sorte qu'aucune saleté (branches, feuilles, etc.) ne puisse tomber sur le tissu.
- Le tissu du store extérieur ne doit pas pendre, il doit toujours être bien tendu. Si le tissu pend, il peut frotter contre les bras et être endommagé.
Pour les longs stores, le tissu peut pendre au milieu.
- Ne repliez le store extérieur que lorsqu'il n'y a pas de saletés (branches, feuilles, etc.) sur le tissu. Le store extérieur risquerait sinon d'être endommagé.
- Maintenez le store extérieur propre afin d'éviter des accrocs, des taches et des moisissures.
- S'il est mouillé, ne repliez le store extérieur que pour des raisons de sécurité. Dépliez-le dès que possible. Dans le cas contraire, des moisissures ou des taches pourraient se former, ou la couleur pourrait pâlir.
- Ne courbez jamais un bras du store extérieur ou l'avant du store extérieur vers le bas pour que l'eau s'écoule. Le store extérieur risquerait de se tordre et son fonctionnement serait affecté.
- N'accrochez pas d'objets au store extérieur, ni à l'avant, ni aux bras du store extérieur.
- N'utilisez pas de sprays (p. ex. spray contre les insectes, sprays pour les cheveux) à proximité du store extérieur. Cela salit le tissu et l'effet hydrophobe du tissu risquerait de disparaître.
- Si après le montage du store extérieur il ne reste pas d'espace suffisant au-dessus de la porte, la porte doit rester fermée pendant que le store extérieur est déplié ou replié, afin d'éviter le contact de la porte avec les bras ou la barre frontale.
L'espace libre nécessaire dépend du type de construction de la porte (largeur de la porte, porte battante ou coulissante) ainsi que de l'angle d'inclinaison réglé pour le store extérieur.

3 Pièces fournies

Nombre	Désignation
1	Store extérieur
1	Notice d'utilisation
1	Instructions de montage

4 Accessoires

Disponibles en accessoires (non compris dans la livraison) :

Désignation	Numéro de produit
Dometic Light LK120 Éclairage DEL avec télécommande, à monter sur les bras du store extérieur	9106504018
Tie Down Kit Sangle permettant de tendre le store extérieur	9103104000

5 Usage conforme

Les stores extérieurs PerfectWall PW 1000 et PW 1500 sont conçus pour être montés sur des camping-cars ou des caravanes.

Les stores extérieurs doivent être utilisés à l'arrêt uniquement.

6 Description technique

PerfectWall PW 1000 et PW 1500 sont des stores extérieurs qui peuvent se replier et se déplier à l'aide d'une manivelle. Les stores extérieurs sont fixés à la paroi du véhicule ou au sol par des montants.

7 Utilisation du store extérieur

Veillez respecter également les consignes de sécurité du chapitre « Consignes de sécurité », page 34 !

7.1 Remarques concernant le lieu d'arrêt du véhicule



AVIS !

- Installez le véhicule de telle sorte qu'aucune saleté (branches, feuilles, etc.) ne puisse tomber sur le tissu.
- Maintenez le store extérieur propre afin d'éviter des accrocs, des taches et des moisissures.

7.2 Déplier le store extérieur



AVERTISSEMENT ! Risque de blessures !

Respectez une distance suffisante par rapport aux objets ou aux autres véhicules. Une fois le store extérieur déplié, la distance minimale avec les autres objets ou véhicules, tout autour du store extérieur, doit être de 40 cm.

- Insérez la manivelle dans le logement du store extérieur (fig. **1**, page 3).
- Tournez la manivelle jusqu'à ce que le store extérieur soit déplié d'environ 1,5 m (fig. **2**, page 3).
- Insérez complètement le montant droit dans le cache avant, de sorte que vous puissiez le déplacer librement (fig. **3**, page 4).
- Tournez le montant de droite sur le côté (fig. **3**, page 4).
- Rabattez le montant droit vers le bas et posez-le sur le sol (fig. **4**, page 4).
- Réglez le montant sur la hauteur souhaitée (fig. **5**, page 5).
- Rabattez le levier du montant vers le haut pour fixer le montant (fig. **6**, page 5).
- Dépliez l'autre montant de la même manière.
- Tournez la manivelle jusqu'à ce que le store extérieur soit déplié dans la position souhaitée. Placez régulièrement le montant à la verticale sous le cache avant, de sorte que le store extérieur soit maintenu en toute sécurité à tout moment.

- Tournez la manivelle d'environ 1/4 de tour dans le sens inverse, afin que le tissu soit tendu.



AVIS ! Risque d'endommagement !

Le tissu du store extérieur ne doit pas pendre, il doit toujours être bien tendu. Si le tissu pend, il peut frotter contre les bras et être endommagé.

Pour les longs stores, le tissu peut pendre au milieu.

- Retirez la manivelle du logement du store extérieur.

Installation des montants au sol



AVERTISSEMENT ! Risque de blessures

- Posez le montant uniquement sur une surface solide.
- Assurez-vous que le montant ne puisse pas glisser.

- Placez le montant à la verticale sous le cache avant.
- Bloquez le montant avec des sardines (fig. **7**, page 5).
- Réglez un montant un peu plus bas afin que le cache avant soit un peu de travers. La pluie, si elle est légère, peut ainsi s'écouler directement (fig. **8**, page 6).

Fixation des montants sur le véhicule

Vous pouvez fixer le store extérieur directement sur votre véhicule, si vous avez monté les blocages pour les montants.

- Faites coulisser le cache du blocage vers le haut (fig. **9**, page 6).
- Suspendez le montant dans le blocage (fig. **9**, page 6).
- Faites coulisser le cache du blocage vers le bas (fig. **9**, page 6).
- Réglez un montant un peu plus bas afin que le cache avant soit un peu de travers. La pluie, si elle est légère, peut ainsi s'écouler directement (fig. **10**, page 6).

Montage de la tige de tension

Pour les stores extérieurs d'une longueur de 4 m ou plus, il faut fixer une tige de tension au milieu du store extérieur. Cela permet d'empêcher que le store extérieur ne pendre.

- Repliez la tige de tension (fig. **11**, page 7).

- Insérez l'extrémité supérieure de la tige de tension dans le logement du bâti (fig. 11, page 7).
- Insérez l'autre extrémité de la tige de tension dans le logement du cache avant (fig. 11, page 7).

7.3 Replier le store extérieur



AVIS !

- Ne repliez le store extérieur que lorsqu'il n'y a pas de saletés (branches, feuilles, etc.) sur le tissu. Le store extérieur risquerait sinon d'être endommagé.
 - Maintenez le store extérieur propre afin d'éviter des accrocs, des taches et des moisissures.
 - Lorsque vous repliez le store extérieur, veillez à ce qu'aucune branche ou autre objet ne soit coincé.
- Retirez toutes les saletés (branches, feuilles, etc.) présentes sur le tissu.
 - Détachez la fixation des montants (sardines ou blocage au niveau du véhicule).
 - Insérez l'extrémité supérieure de la manivelle dans le logement du store extérieur.
 - Tournez la manivelle jusqu'à ce que le store extérieur ne soit plus déplié que d'environ 1,5 m. Placez régulièrement les montants à la verticale sous le cache avant, de sorte que le store extérieur soit maintenu en toute sécurité à tout moment.
 - Rabattez le levier du montant droit vers le bas pour détacher le montant.
 - Repliez complètement le montant.
 - Rabattez le montant droit vers le haut.
 - Tournez le montant de droite dans le cache avant.
 - Faites glisser la partie inférieure du montant de droite dans le blocage du cache avant.
 - Repliez l'autre montant de la même manière.
 - Tournez la manivelle jusqu'à ce que le store extérieur soit complètement replié.
 - Vérifiez que le store extérieur est complètement replié avant de partir. L'avant doit se trouver contre le bâti.

- Retirez la manivelle du logement du store extérieur.

**AVIS ! Risque d'endommagement !**

Si le store extérieur a été replié alors qu'il était mouillé, dépliez-le dès que possible et laissez le tissu sécher. Si le tissu humide reste replié trop longtemps, il risque de moisir ou ses couleurs de pâlir.

8 Entretien et nettoyage

8.1 Nettoyage

**AVIS ! Risque d'endommagement !**

- Ne nettoyez **jamais** le store extérieur avec un nettoyeur haute pression.
- N'utilisez ni produits abrasifs ni objets durs pour le nettoyage, ceux-ci pouvant endommager le produit.

- Retirez toute saleté (branches, feuilles, etc.) se trouvant sur le tissu afin d'éviter des accrocs, des taches et des moisissures. En outre, le store extérieur peut être endommagé lorsqu'il sera replié.
- Nettoyez régulièrement le tissu du store extérieur pour retirer la poussière et la saleté :
 - Pour ce faire, utilisez de l'eau contenant 30 g de détergent et 30 g d'agent blanchissant pour 10 litres d'eau.
 - Savonnez le tissu avec cette solution et laissez le liquide agir pendant cinq minutes.
 - Rincez soigneusement à l'eau claire.
Assurez-vous que la solution contenant de l'agent blanchissant est complètement rincée. Le tissu pourrait sinon être endommagé.
 - Laissez sécher le tissu.

**REMARQUE**

Le fabricant recommande :

- Pour le nettoyage du tissu, utilisez le détergent pour stores extérieurs Dometic Clean&Care (n° d'art. 9103501116, disponible auprès de votre partenaire de service après-vente).

8.2 Lubrification

- ▶ En cas de besoin, lubrifiez les articulations du store extérieur avec une cire de paraffine ou de l'huile au téflon ou au silicone.

8.3 Contrôle



AVERTISSEMENT !

N'utilisez pas le store extérieur si des réglages ou des réparations sont nécessaires.

Si vous constatez des dommages, veuillez vous adresser à un de nos partenaires de service présent dans votre pays (voir adresses au dos du présent manuel).

- ▶ Vérifiez régulièrement que le store extérieur n'est pas déséquilibré, usé ou endommagé à des endroits critiques.
- ▶ Contrôlez régulièrement le store extérieur :
 - Le tissu est-il intact ?
 - Les bras et l'avant sont-ils intacts et sans traces d'usure ?
 - Le store extérieur se ferme-t-il correctement ?

8.4 Resserrage des vis de l'articulation

Les vis de l'articulation doivent être resserrées après les premières sollicitations :

- Après les premières vacances au cours desquelles le store extérieur a été utilisé
- Après 20000 km ou six mois après le montage du store extérieur (selon ce qui se produit en premier)

Les vis de l'articulation doivent par ailleurs être contrôlées lors de l'inspection du véhicule effectuée régulièrement.

Adressez-vous à votre partenaire de service pour le resserrage des vis.

Consigne pour l'entretien (fig. 12, page 7)



AVIS !

Les bras du store extérieur ne doivent pas subir de charges afin que le couple de serrage des vis soit correct.

- Soulevez légèrement la barre frontale pour que les articulations ne supportent pas de charge.
- Resserrez les vis à 15 – 25 Nm.

8.5 Réparer de petits trous dans le tissu

Vous pouvez réparer vous-même de petits trous dans le tissu ou les endroits où le revêtement se défait :

- Avec un chiffon en coton, étalez un peu de liquide de réparation au vinyle (n° d'art. 9103104018, disponible auprès de votre partenaire de service) autour de l'endroit endommagé.
- ✓ Le liquide de réparation au vinyle corrode le revêtement. En séchant, le revêtement referme le trou.
- Attendez que l'endroit soit sec avant de replier le store extérieur.

9 Garantie

Le délai légal de garantie s'applique. Si le produit s'avérait défectueux, veuillez vous adresser à la filiale du fabricant située dans votre pays (voir adresses au verso du présent manuel) ou à votre revendeur spécialisé.

Veuillez y joindre les documents suivants pour la gestion des réparations et de la garantie :

- une copie de la facture avec la date d'achat,
- le motif de la réclamation ou une description du dysfonctionnement.

10 Retraitement

- Jetez les emballages dans les conteneurs de déchets recyclables prévus à cet effet.



Lorsque vous mettez votre produit définitivement hors service, informez-vous auprès du centre de recyclage le plus proche ou auprès de votre revendeur spécialisé sur les prescriptions relatives au retraitement des déchets.

11 Caractéristiques techniques

PerfectWall PW1000					
Largeur :	2,6 m	3 m	3,5 m	4 m	4,5 m
Avancée :	2,5 m				
Poids :	18,6 kg	21 kg	24 kg	27 kg	30 kg

PerfectWall PW1500				
Largeur :	1,5 m	2,6 m	3 m	3,5 m
Avancée :	1 m	2 m	2,5 m	2,5 m / 2,75 m
Poids :	12 kg	18 kg	21 kg	24 kg

PerfectWall PW1500				
Largeur :	4 m	4,5 m	5 m	5,5 m
Avancée :	2,5 m / 2,75 m			
Poids :	27 kg	30 kg	33 kg	36 kg

**¡ADVERTENCIA!**

- Estas instrucciones deben haberse leído y comprendido antes del uso, ajuste, limpieza y mantenimiento.
- Un técnico debe instalar el aparato. Una instalación incorrecta puede causar graves lesiones. Las modificaciones del aparato pueden ser muy peligrosas y causar lesiones graves o daños en el aparato.
- Esas instrucciones deben permanecer con el aparato. El propietario debe leerlas con atención.

Índice

1	Notas sobre el empleo de las instrucciones	46
2	Indicaciones de seguridad	46
3	Volumen de entrega	49
4	Accesorios	49
5	Uso adecuado	49
6	Descripción técnica	49
7	Manejo del toldo	50
8	Limpieza y cuidado	53
9	Garantía legal	55
10	Gestión de residuos	55
11	Datos técnicos	56

1 Notas sobre el empleo de las instrucciones



¡ADVERTENCIA!

Indicación de seguridad: su incumplimiento puede acarrear la muerte o graves lesiones.



¡AVISO!

Su incumplimiento puede acarrear daños materiales y perjudicar el correcto funcionamiento del producto.

► **Paso a seguir:** este símbolo le indica que debe realizar un paso. Todos los procedimientos necesarios se describen paso a paso.

✓ Este símbolo describe el resultado de un paso realizado.

Fig. 1 5, página 3: esta indicación hace referencia a un elemento de una figura, en este ejemplo a la “Posición 5 en la figura 1 de la página 3”.

2 Indicaciones de seguridad

Tenga en cuenta las indicaciones de seguridad y la documentación suministrada por el fabricante y el taller del vehículo.

El fabricante declina toda responsabilidad ante daños ocurridos en los siguientes casos:

- daños en el producto debido a influencias mecánicas y sobretensiones
- modificaciones realizadas en el producto sin el expreso consentimiento del fabricante
- utilización del aparato para fines distintos a los descritos en las instrucciones

Tenga en cuenta las siguientes advertencias:**¡ADVERTENCIA!**

- Antes de empezar a conducir, compruebe que el toldo esté totalmente cerrado. Nunca mueva el vehículo con el toldo abierto.
- Nunca conduzca con la manivela colgada. Quite la manivela antes de empezar a conducir.
- No conduzca el vehículo si la lona está dañada o rasgada, incluso cuando el toldo se haya cerrado adecuadamente. La lona retiene los brazos del toldo. Si la lona se rasga durante la conducción, el toldo se abrirá de repente. Podrían producirse graves lesiones. Asegure el toldo de forma que no se abra de forma repentina e inesperada durante la conducción.
- **No** abra el toldo durante la conducción.
- **No** abra el toldo cuando sople un viento fuerte o nieve.
- Cierre el toldo cuando se espere un viento fuerte, lluvia o nieve abundante.
- Evite que se acumule agua o nieve sobre la lona. De lo contrario, el toldo podría dañarse o los brazos del toldo podrían partirse y ocasionar lesiones graves o la muerte.
- No se acerque al toldo
 - cuando se ha dejado abierto con viento fuerte,
 - cuando se han formado bolsas de agua sobre él,
 - cuando se ha acumulado la nieve sobre él,
 - cuando haya sedimentos grandes sobre la lona del toldo.El toldo podría moverse de forma inesperada, perder la estabilidad necesaria y curvarse o romperse.
- No deje sin vigilancia el toldo abierto. Cierre el toldo antes de irse del lugar donde se encuentra.
- Manténgase alejado del toldo cuando haga una barbacoa. La lona podría dañarse por el calor o incendiarse.
- Los niños mayores de 8 años y las personas de capacidad física, sensorial o mental disminuida, así como aquellas personas con falta de experiencia y conocimientos suficientes solo podrán utilizar este aparato bajo vigilancia o si han sido instruidos respecto al uso seguro del aparato y a los posibles peligros que pueden emanar de él.
- Controle a los niños para asegurarse de que no jueguen con el aparato.

**¡AVISO!**

- Aparque la caravana o autocaravana de modo que no puedan caer ramas, hojas o semejantes sobre la lona.
- La lona del toldo no debe combarse por los bordes, sino que siempre debe estar tensa. Si la lona se comba, podría rozar contra los brazos y dañarse.
En caso de toldos largos, está permitido que la lona se combe por el centro.
- Antes de cerrar el toldo, limpie la lona de ramas, hojas, etc. que haya sobre la lona, de otro modo el toldo podría dañarse.
- Mantenga el toldo libre de suciedad, excoriaciones, manchas y moho.
- Recoja el toldo estando húmedo solo por razones de seguridad. En cuanto sea posible, vuelva a abrirlo. De lo contrario, se pueden formar moho y manchas o se puede perder el color.
- Nunca doble los brazos del toldo ni el protector para dejar escurrir agua del toldo. El toldo podría torcerse y su funcionamiento se vería afectado.
- No cuelgue objetos del toldo, ni de la protección delantera ni de los brazos del toldo.
- No utilice aerosoles (insecticidas, lacas para el pelo) cerca del toldo. Ensuciarán la lona o harán que ésta pierda su efecto hidrófobo.
- Si después de haber montado el toldo no queda suficiente espacio libre por encima de la puerta, ésta deberá permanecer cerrada mientras se despliega o recoge el toldo para evitar que los brazos o el listón delantero rocen con la puerta.
El espacio libre necesario depende del tipo de puerta (ancho, puerta de bisagras, puerta corredera) y del ángulo de inclinación ajustado.

3 Volumen de entrega

Total	Denominación
1	Toldo
1	Instrucciones de uso
1	Instrucciones de montaje

4 Accesorios

Disponibles como accesorios (no incluidos en el volumen de entrega):

Denominación	Número de artículo
Dometic Light LK120 Iluminación LED con control remoto para montaje en los brazos del toldo	9106504018
Tie Down Kit Correas para amarrar el toldo	9103104000

5 Uso adecuado

Los toldos PerfectWall PW1000 y PW1500 son adecuados para su montaje en caravanas o autocaravanas.

Solo está permitido utilizar los toldos con el vehículo está detenido.

6 Descripción técnica

PerfectWall PW1000 y PW1500 son toldos que se abren y recogen con una manivela. Los toldos se aseguran a la pared del vehículo o al suelo con soportes.

7 Manejo del toldo

Tenga en cuenta las indicaciones de seguridad mencionadas en capítulo "Indicaciones de seguridad" en la página 46.

7.1 Indicaciones para el lugar del vehículo



¡AVISO!

- Aparque el vehículo de modo que no puedan caer ramas, hojas u objetos semejantes sobre la lona.
- Mantenga el toldo libre de suciedad, excoriaciones, manchas y moho.

7.2 Apertura del toldo



¡ADVERTENCIA! ¡Peligro de sufrir lesiones!

Mantenga espacio suficiente con respecto a otros objetos o vehículos. Con el toldo extraído, debe haber un espacio mínimo de 40 cm con respecto a otros objetos o vehículos.

- Encastre la manivela en el alojamiento del toldo (fig. **1**, página 3).
- Gire la manivela hasta que el toldo se abra unos 1,5 m (fig. **2**, página 3).
- Introduzca completamente el soporte derecho en la protección delantera, de forma que lo pueda mover libremente (fig. **3**, página 4).
- Gire el soporte derecho para que quede a un lado (fig. **3**, página 4).
- Abata el soporte derecho hacia abajo y colóquelo sobre el suelo (fig. **4**, página 4).
- Ajuste el soporte a la altura deseada (fig. **5**, página 5).
- Abata la palanca del soporte hacia arriba para sujetarlo (fig. **6**, página 5).
- Extraiga el otro soporte procediendo de la misma manera.
- Gire la manivela hasta que el toldo se abra hasta la posición deseada. Vuelva a colocar con regularidad los soportes verticales debajo de la protección delantera, de forma que el toldo se sostenga con seguridad.
- Gire la manivela un cuarto de vuelta en dirección contraria para tensar la lona.



¡AVISO! Peligro de ocasionar daños materiales

La lona del toldo no debe combarse por los bordes, sino que siempre debe estar tensa. Si la lona se comba, podría rozar contra los brazos y dañarse.

En caso de toldos largos, está permitido que la lona se combe por el centro.

- ▶ Descuelgue la manivela del alojamiento del toldo.

Colocar los soportes en el suelo



¡ADVERTENCIA! Peligro de sufrir lesiones

- Coloque los soportes solo sobre una base firme.
- Asegure los soportes para que no resbalen.

- ▶ Asegure los soportes en vertical debajo de la protección delantera.
- ▶ Asegure los soportes con piquetas (fig. **7**, página 5).
- ▶ Coloque un soporte algo más abajo para que la protección delantera esté algo inclinada. De esta forma, se descarga directamente el agua de lluvia (fig. **8**, página 6).

Sujetar los soportes en el vehículo

Puede sujetar el toldo directamente en el vehículo cuando ha montado los bloqueo para los soportes.

- ▶ Desplace hacia arriba la cubierta del bloqueo (fig. **9**, página 6).
- ▶ Cuelgue el soporte del bloqueo (fig. **9**, página 6).
- ▶ Desplace hacia abajo la cubierta del bloqueo (fig. **9**, página 6).
- ▶ Coloque un soporte algo más abajo para que la protección delantera esté algo inclinada. De esta forma, se descarga directamente el agua de lluvia (fig. **10**, página 6).

Montar la barra tensora

En toldos con una longitud de 4 m o más, debe montarse una barra tensora en el centro. De este modo, se evita que el toldo se combe.

- Retraiga la barra tensora (fig. 11, página 7).
- Encastre el extremo superior de la barra tensora en el alojamiento del bastidor (fig. 11, página 7).
- Introduzca el otro extremo de la barra tensora en el alojamiento de la protección delantera (fig. 11, página 7).

7.3 Cierre del toldo



¡AVISO!

- Antes de cerrar el toldo, limpie la lona de ramas, hojas, etc. que haya sobre la lona, pues de otro modo podría resultar dañado.
 - Mantenga el toldo libre de suciedad, excoiaciones, manchas y moho.
 - Cuando cierre el toldo, preste atención a que no se quede enganchada ninguna rama u otros objetos.
- Limpie las ramas, hojas o similares que haya en la lona.
 - Suelte la sujeción de los soportes (piquetas o bloqueo en el vehículo).
 - Encastre el extremo superior de la manivela en el alojamiento del toldo.
 - Gire la manivela hasta que el toldo se abra unos 1,5 m. Vuelva a colocar con regularidad los soportes verticales debajo de la protección delantera, de forma que el toldo se sostenga con seguridad.
 - Abata la palanca del soporte derecho hacia arriba para soltarlo.
 - Recoja completamente el soporte.
 - Abata el soporte derecho hacia arriba.
 - Gire el soporte derecho dentro de la protección delantera.
 - Desplace la parte inferior del soporte derecho en el bloqueo de la protección delantera.
 - Recoja el otro soporte procediendo de la misma manera.
 - Gire la manivela hasta que el toldo esté completamente cerrado.

- ▶ Asegúrese de que el toldo esté completamente cerrado antes de comenzar a conducir. La protección delantera debe estar muy cerca del bastidor.
- ▶ Descuelgue la manivela del alojamiento del toldo.



¡AVISO! Peligro de ocasionar daños materiales

Si el toldo se ha cerrado mientras estaba mojado, ábralo nuevamente en cuanto sea posible y deje que se seque. Si la lona húmeda permanece enrollada durante un período prolongado se enmohecerá y podría desteñirse.

8 Limpieza y cuidado

8.1 Limpieza



¡AVISO! Peligro de ocasionar daños materiales

- **Nunca** limpie el toldo con un limpiador de alta presión.
- No emplee productos de limpieza corrosivos ni objetos duros, ya que pueden deteriorar el producto.

- ▶ Retire toda la suciedad (ramas, hojas o similares) que haya sobre la lona para evitar excoriaciones, manchas y moho. El toldo también puede resultar dañado si no se hace.
- ▶ Limpie periódicamente la lona del toldo para eliminar el polvo y la suciedad:
 - Para este fin, utilice 30 g de detergente y 30 g de lejía disueltos en 10 litros de agua.
 - Enjabone la lona con esta solución de limpieza y déjela actuar durante cinco minutos.
 - Enjuague minuciosamente con agua clara.
 Asegúrese de haber eliminado por completo la solución de limpieza con la lejía. De otro modo, la lona podría dañarse.
 - Deje que la lona se seque.



NOTA

El fabricante recomienda:

- Para la limpieza de la lona utilice el limpiador de toldos Clean&Care de Dometic (n.º de art. 9103501116, adquirible a través de su socio de servicio).

8.2 Lubricación

- Si es necesario, lubrique las juntas del toldo con cera de parafina, aceite de teflón o aceite de silicona.

8.3 Controles



¡ADVERTENCIA!

No use el toldo cuando sean necesarios ajustes y reparaciones. Si descubre daños, póngase en contacto con el socio de servicio del país correspondiente (las direcciones aparecen en el dorso de las instrucciones).

- Inspeccione con regularidad el toldo en busca de desequilibrios y desgaste, así como daños en piezas críticas.
- Controle el toldo a intervalos regulares:
 - ¿Está intacta la lona?
 - ¿Están intactos los brazos y la protección delantera y no presentan señales de desgaste?
 - ¿El toldo se cierra correctamente?

8.4 Apretar los tornillos de las articulaciones de hombro

Los tornillos de las articulaciones se deben volver a apretar después de haber sido sometidas a las primeras solicitaciones:

- después de las primeras vacaciones en que se utilice el toldo
- después de recorrer 20000 km o pasados seis meses del montaje del toldo (dependiendo del caso que se dé primero)

Además, deben controlarse los tornillos de las articulaciones en las inspecciones regulares del vehículo.

Diríjase a su socio de servicio para las tareas de apriete de tornillos.

Indicación para el servicio (fig. 12, página 7)



¡AVISO!

Los brazos del toldo no deben estar sometidos a solicitaciones para no falsear el par de apriete de los tornillos.

- Alce ligeramente el listón delantero para que las articulaciones no queden sometidas a sollicitación.
- Apriete los dos tornillos a 15 – 25 Nm.

8.5 Remiendo de pequeños agujeros en la lona

Usted puede remendar por sí mismo pequeños agujeros en la lona o puntos en los que se desprenda el recubrimiento:

- Utilice un trapo de algodón para frotar alrededor del punto dañado un poco de remiendo de vinilo líquido (art. n° 9103104018, disponible a través de su socio de servicio).
- ✓ El parche líquido de vinilo desprende el recubrimiento. Al secarse, el recubrimiento cierra el agujero.
- Antes de volver a cerrar el toldo, espere a que el punto esté seco.

9 Garantía legal

Rige el plazo de garantía legal. Si el producto presenta algún defecto, diríjase a su establecimiento especializado o a la sucursal del fabricante de su país (ver direcciones en el dorso de estas instrucciones).

Para la tramitación de la reparación y de la garantía debe enviar también los siguientes documentos:

- una copia de la factura con fecha de compra,
- el motivo de la reclamación o una descripción de la avería.

10 Gestión de residuos

- Deseche el material de embalaje en el contenedor de reciclaje correspondiente.



Cuando vaya a desechar definitivamente el producto, infórmese en el centro de reciclaje más cercano o en un comercio especializado sobre las normas pertinentes de eliminación de materiales.

11 Datos técnicos

PerfectWall PW1000					
Anchura:	2,6 m	3 m	3,5 m	4 m	4,5 m
Extraído:	2,5 m				
Peso:	18,6 kg	21 kg	24 kg	27 kg	30 kg

PerfectWall PW1500				
Anchura:	1,5 m	2,6 m	3 m	3,5 m
Extraído:	1 m	2 m	2,5 m	2,5 m / 2,75 m
Peso:	12 kg	18 kg	21 kg	24 kg

PerfectWall PW1500				
Anchura:	4 m	4,5 m	5 m	5,5 m
Extraído:	2,5 m / 2,75 m			
Peso:	27 kg	30 kg	33 kg	36 kg



AVVERTENZA!

- Prima dell'utilizzo, dell'installazione, della pulizia e della manutenzione è necessario aver letto e compreso bene questo manuale di istruzioni.
- Questo dispositivo deve essere installato da personale specializzato. Un'installazione errata può provocare gravi lesioni. Eventuali modifiche al dispositivo possono diventare estremamente pericolose e provocare gravi lesioni o danni al dispositivo stesso.
- Questo manuale di istruzioni deve rimanere insieme al dispositivo. Il proprietario deve leggerlo attentamente.

Indice

1	Indicazioni per l'uso del manuale di istruzioni	58
2	Indicazioni di sicurezza	58
3	Dotazione	61
4	Accessori	61
5	Conformità d'uso	61
6	Descrizione tecnica	61
7	Utilizzo della tenda da sole	62
8	Pulizia e cura	66
9	Garanzia	68
10	Smaltimento	68
11	Specifiche tecniche	69

1 Indicazioni per l'uso del manuale di istruzioni



AVVERTENZA!

Avviso di sicurezza: la mancata osservanza di questo avviso può causare ferite gravi anche mortali.



AVVISO!

La mancata osservanza di questa nota può causare danni materiali e compromettere il funzionamento del prodotto.

► **Modalità di intervento:** questo simbolo indica all'utente che è necessario un intervento. Le modalità di intervento necessarie saranno descritte passo dopo passo.

✓ Questo simbolo descrive il risultato di un intervento.

Fig. 1 5, pagina 3: questi dati si riferiscono ad un elemento in una figura, in questo caso alla "posizione 5 nella figura 1 a pagina 3".

2 Indicazioni di sicurezza

Osservare le indicazioni di sicurezza e le direttive previste dal produttore del veicolo e degli specialisti del settore!

Il produttore non si assume nessuna responsabilità per danni nei seguenti casi:

- danni al prodotto dovuti a influenze meccaniche o a sovratensioni
- modifiche al prodotto senza esplicita autorizzazione del produttore
- impiego per altri fini rispetto a quelli descritti nel manuale di istruzioni

Osservare i seguenti avvertimenti:**AVVERTENZA!**

- Prima di mettersi in viaggio, controllare che la tenda da sole sia completamente chiusa. Non spostare mai il veicolo con la tenda da sole aperta.
- Non viaggiare mai con la manovella agganciata. Rimuovere la manovella prima di mettersi in viaggio.
- Non guidare il veicolo se il telo è danneggiato o strappato anche se la tenda da sole è stata regolarmente richiusa! I bracci della tenda da sole vengono tenuti dal telo. Se il telo si strappa durante il viaggio, la tenda da sole scatta improvvisamente all'infuori. Questo può provocare gravi lesioni. Fissare la tenda da sole in modo tale che non possa aprirsi inavvertitamente durante la marcia.
- **Non** aprire la tenda da sole durante la marcia.
- **Non** aprire la tenda da sole se tira forte il vento o cade la neve.
- Retrarre la tenda da sole se si prevede l'arrivo di forte vento, pioggia intensa o neve.
- Assicurarsi che non si accumuli acqua o neve sul telo. Se questo succede, la tenda da sole può danneggiarsi o possono rompersi i bracci provocando così lesioni gravi o mortali.
- Non avvicinarsi alla tenda da sole
 - se è rimasta aperta e c'è vento forte,
 - se vi si sono formati accumuli di acqua,
 - se vi si è depositata neve,
 - se sul telo si trova sporcizia pesante accumulata.La tenda da sole può muoversi inaspettatamente, diventare instabile e piegarsi o spezzarsi.
- Non lasciare la tenda da sole aperta e incustodita. Ritrarre tenda da sole prima di lasciare il posteggio.
- In caso di barbecue con fiamme libere, tenere la tenda da sole distante dal fuoco. Il telo può danneggiarsi con il calore o prendere fuoco.
- Il presente dispositivo può essere usato da bambini dagli 8 anni in su, da persone con ridotte capacità fisiche, sensoriali o mentali o con poca esperienza o conoscenze se non lasciati soli o se istruiti sul suo utilizzo sicuro e sui pericoli che possono sorgere.
- Sorvegliare i bambini per evitare che giochino con il dispositivo.

**AVVISO!**

- Posizionare il proprio caravan o camper in modo tale che sul telo non si depositi sporcizia (rami, foglie o simili).
- Il telo della tenda da sole non deve allentarsi ai lati, ma rimanere sempre ben teso. Se il telo si allenta, può sfregare sui bracci e danneggiarsi.
Con le tende da sole lunghe è normale che il telo penda al centro.
- Ritrarre la tenda da sole solamente se sul telo non vi è sporcizia (rami, foglie o simili), altrimenti la tenda potrebbe danneggiarsi in fase di ritrazione.
- Tenere la tenda da sole pulita per evitare danneggiamenti, macchie e muffa.
- Ritrarre la tenda da sole da bagnata solo in caso di emergenza. Estrarla nuovamente prima possibile, altrimenti possono formarsi muffa o macchie o il colore può stingersi.
- Non piegare mai verso il basso un braccio della tenda da sole o la mascherina per fare defluire l'acqua. La tenda da sole in questo modo potrebbe piegarsi e il suo funzionamento essere compromesso.
- Non appendere oggetti alla tenda da sole, né sulla mascherina anteriore, né sui bracci.
- Non utilizzare spray (ad es. spray insetticida, lacca per capelli) in prossimità della tenda da sole. Il telo si sporchierebbe o l'effetto imperlante del telo potrebbe andare perso.
- Se dopo il montaggio della tenda da sole non rimane spazio libero sufficiente sopra la porta, quest'ultima deve rimanere chiusa quando la tenda viene estratta o ritratta, per impedire che la porta entri in contatto con i bracci o il listello anteriore. Lo spazio libero necessario dipende dal tipo di porta (larghezza della porta, porta a vento, porta scorrevole) e dall'angolo d'inclinazione della tenda da sole.

3 Dotazione

Totale	Descrizione
1	Tenda da sole
1	Istruzioni per l'uso
1	Istruzioni di montaggio

4 Accessori

Disponibili come accessori (non in dotazione):

Descrizione	Numero articolo
Dometic Light LK120 Illuminazione a LED con comando a distanza per il montaggio sui bracci della tenda da sole	9106504018
Tie Down Kit Cinghie per tendere la tenda da sole	9103104000

5 Conformità d'uso

Le tende da sole PerfectWall PW1000 e PW1500 sono adatte per l'installazione su camper e caravan.

Le tende da sole possono essere utilizzate solamente a veicolo fermo.

6 Descrizione tecnica

PerfectWall PW1000 e PW1500 sono tende da sole apribili e richiudibili per mezzo di una manovella. Le tende da sole vengono assicurate alla parete del veicolo o al suolo tramite aste.

7 Utilizzo della tenda da sole

Osservare anche le indicazioni di sicurezza al capitolo “Indicazioni di sicurezza” a pagina 58.

7.1 Indicazioni sul posteggio del veicolo



AVVISO!

- Posizionare il veicolo in modo che sul telo non si depositi sporcizia (rami, foglie o simili).
- Tenere la tenda da sole pulita per evitare danneggiamenti, macchie e muffa.

7.2 Estrazione della tenda da sole



AVVERTENZA! Rischio di lesioni!

Mantenere una distanza sufficiente dagli oggetti o da altri veicoli. Dopo aver estratto la tenda da sole, fra questa e gli altri oggetti o veicoli deve esserci una distanza minima di 40 cm.

- Inserire la manovella nell'apposita sede della tenda da sole (fig. **1**, pagina 3).
- Ruotarla finché la tenda da sole non è fuoriuscita per circa 1,5 m (fig. **2**, pagina 3).
- Scorrere l'asta destra completamente nella mascherina anteriore in modo tale che possa muoversi liberamente (fig. **3**, pagina 4).
- Portare l'asta destra di lato (fig. **3**, pagina 4).
- Aprire l'asta destra verso il basso e fissarla al suolo (fig. **4**, pagina 4).
- Regolarla all'altezza desiderata (fig. **5**, pagina 5).
- Alzare la leva sull'asta per fissarla (fig. **6**, pagina 5).
- Procedere nello stesso modo per l'altra asta.
- Ruotare la manovella finché la tenda da sole non viene estratta nella posizione desiderata. Posizionare le aste sempre in verticale sotto la mascherina anteriore per far sì che la tenda da sole venga tenuta sempre in posizione sicura.
- Ruotare indietro la manovella di ca. 1/4 di giro per portare il telo in tensione.

**AVVISO! Pericolo di danni!**

Il telo della tenda da sole non deve allentarsi ai lati, ma rimanere sempre ben teso. Se il telo si allenta, può sfregare sui bracci e venirne danneggiato.

Con le tende da sole lunghe è normale che il telo penda al centro.

- Disinserire la manovella dall'apposita sede della tenda.

Posizionamento delle aste sul suolo**AVVERTENZA! Rischio di lesioni**

- Posizionare le aste esclusivamente su una base rigida.
- Fare in modo che non scivolino via.

- Posizionare le aste in verticale sotto la mascherina anteriore.
- Assicurare le aste al suolo con i picchetti (fig. **7**, pagina 5).
- Regolare un po' più in basso una delle due aste affinché la mascherina anteriore presenti una leggera pendenza. In questo modo la pioggia può scorrere via più facilmente (fig. **8**, pagina 6).

Fissaggio delle aste al veicolo

È possibile fissare la tenda da sole direttamente al veicolo se sono stati montati gli arresti per le aste.

- Far scorrere verso l'alto la copertura dell'arresto (fig. **9**, pagina 6).
- Agganciare l'asta nell'arresto (fig. **9**, pagina 6).
- Far scorrere verso il basso la copertura dell'arresto (fig. **9**, pagina 6).
- Regolare un po' più in basso una delle due aste affinché la mascherina anteriore presenti una leggera pendenza. In questo modo la pioggia può scorrere via più facilmente (fig. **10**, pagina 6).

Montaggio dell'asta di bloccaggio

Per tende con una lunghezza di 4 m o superiore, deve essere montata un'asta di bloccaggio al centro della tenda. In questo modo si evita che la tenda da sole penda.

- Ritrarre l'asta di bloccaggio (fig. 11, pagina 7).
- Agganciare l'estremità superiore dell'asta di bloccaggio nell'apposita sede dell'alloggiamento (fig. 11, pagina 7).
- Inserire l'altra estremità nell'apposita sede della mascherina anteriore (fig. 11, pagina 7).

7.3 Chiusura della tenda da sole



AVVISO!

- Richiudere la tenda da sole solamente se sul telo non vi è sporcizia (rami, foglie o simili), altrimenti in fase di chiusura, la tenda da sole potrebbe danneggiarsi.
 - Tenere la tenda da sole pulita per evitare danneggiamenti, macchie e muffa.
 - Durante la chiusura della tenda da sole, fare attenzione che non rimanga bloccata da rami o altri oggetti.
-
- Rimuovere la sporcizia (rami, foglie o simili) che si trova sul telo.
 - Liberare il fissaggio delle aste (picchetti o arresto sul veicolo).
 - Agganciare l'estremità superiore della manovella nell'apposita sede della tenda.
 - Ruotarla finché la tenda da sole non è aperta solo per circa 1,5 m. Posizionare le aste sempre in verticale sotto la mascherina anteriore per far sì che la tenda da sole venga tenuta sempre in posizione sicura.
 - Abbassare la leva dell'asta destra per sbloccare l'asta.
 - Ritrarre completamente l'asta.
 - Richiudere in alto l'asta destra.
 - Portare l'asta destra nella mascherina anteriore.
 - Spingere la parte inferiore dell'asta destra nell'arresto della mascherina anteriore.
 - Procedere nello stesso modo per l'altra asta.

- Ruotare la manovella finché la tenda da sole non è completamente richiusa.
- Prima di partire, assicurarsi che la tenda da sole sia completamente richiusa. La mascherina anteriore deve aderire bene all'alloggiamento.
- Disinserire la manovella dall'apposita sede della tenda.

***AVVISO! Pericolo di danni!***

Se la tenda da sole è stata richiusa ancora bagnata, alla prima occasione estrarla di nuovo e lasciare asciugare il telo. Se il telo bagnato rimane arrotolato per lungo tempo, si formano macchie di muffa e i colori possono sbiadire.

8 Pulizia e cura

8.1 Pulizia

**AVVISO! Pericolo di danni!**

- Non pulire **mai** la tenda da sole con un'idropulitrice.
- Per la pulizia non impiegare oggetti appuntiti o detersivi corrosivi perché potrebbero danneggiare il prodotto.

- Togliere dal telo qualsiasi deposito di sporcizia (rami, foglie o simili) per evitare danneggiamenti, macchie e muffa. Inoltre possono danneggiare la tenda quando questa viene richiusa.
- Pulire regolarmente il telo della tenda da sole per rimuovere la polvere e lo sporco:
 - utilizzare 30 g di detersivo e 30 g di candeggina diluiti in 10 litri di acqua.
 - Insaponare il telo con questa soluzione e lasciare agire il detergente liquido per cinque minuti.
 - Risciacquare accuratamente con acqua pulita.
Assicurarsi che il detergente liquido con la candeggina sia completamente lavato via, altrimenti può danneggiare il telo.
 - Lasciar asciugare il telo.

**NOTA**

Il produttore raccomanda:

- Per la pulizia del panno utilizzare il detergente per tende da sole Dometic Clean&Care (n. art. 9103501116, disponibile presso il vostro Punto di Assistenza).

8.2 Lubrificazione

- All'occorrenza lubrificare gli snodi della tenda da sole con cera di paraffina, olio al teflon o al silicone.

8.3 Controllo

**AVVERTENZA!**

Non utilizzare la tenda da sole se necessita di registrazioni o riparazioni.

Se si riscontrano danni, rivolgersi al servizio di assistenza del rispettivo paese (per gli indirizzi, vedi il retro del manuale di istruzioni).

- Ispezionare regolarmente la tenda da sole per eventuali sbilanciamenti e usura o danneggiamenti alle parti critiche.
- Controllare regolarmente la tenda da sole:
 - Il telo presenta danneggiamenti?
 - I bracci e la mascherina anteriore presentano danneggiamenti o segni di usura?
 - La tenda da sole si chiude correttamente?

8.4 Serraggio delle viti nelle staffe di fissaggio articolate

Le viti nella staffa di fissaggio articolata devono essere serrate dopo le prime sollecitazioni:

- dopo la prima vacanza in cui si è utilizzata la tenda da sole
- dopo 20000 km di marcia del veicolo o sei mesi dopo l'installazione della tenda (ciò che si presenta prima)

Inoltre si consiglia di controllare le viti della staffa di fissaggio articolata ispezionando il veicolo a intervalli regolari.

Per il serraggio delle viti rivolgersi al proprio servizio di assistenza.

Istruzioni per il servizio di assistenza (fig. 12, pagina 7)

**AVVISO!**

I bracci della tenda da sole devono essere liberi da carichi affinché il momento di serraggio delle viti non venga falsato.

- Sollevare leggermente il listello anteriore per togliere il carico dagli snodi.
- Stringere le viti con 15 – 25 Nm.

8.5 Rammendare le piccole forature nel telo

Potete rammendare da soli le piccole forature nel telo o nei punti in cui il rivestimento si consuma:

- ▶ con uno straccio di cotone distribuire intorno ai punti danneggiati un po' di cerotto in vinile liquido (n. art. 9103104018, disponibile presso il vostro servizio di assistenza).
- ✓ Il cerotto in vinile liquido rimuove leggermente il rivestimento. Il rivestimento chiude il foro mentre si asciuga.
- ▶ Attendere che la riparazione si sia asciugata prima di richiudere la tenda da sole.

9 Garanzia

Vale il termine di garanzia previsto dalla legge. Qualora il prodotto risultasse difettoso, La preghiamo di rivolgersi al proprio rivenditore specializzato o alla filiale del produttore del suo Paese (l'indirizzo si trova sul retro del manuale di istruzioni).

Per la riparazione e per il disbrigo delle condizioni di garanzia è necessario inviare la seguente documentazione:

- una copia della fattura con la data di acquisto del prodotto,
- un motivo su cui fondare il reclamo, oppure una descrizione del guasto.

10 Smaltimento

- ▶ Raccogliere il materiale di imballaggio possibilmente negli appositi contenitori di riciclaggio.



Quando il prodotto viene messo fuori servizio definitivamente, informarsi al centro di riciclaggio più vicino, oppure presso il proprio rivenditore specializzato, sulle prescrizioni adeguate concernenti lo smaltimento.

11 Specifiche tecniche

	PerfectWall PW1000				
Larghezza:	2,6 m	3 m	3,5 m	4 m	4,5 m
Estensione:	2,5 m				
Peso:	18,6 kg	21 kg	24 kg	27 kg	30 kg

	PerfectWall PW1500			
Larghezza:	1,5 m	2,6 m	3 m	3,5 m
Estensione:	1 m	2 m	2,5 m	2,5 m / 2,75 m
Peso:	12 kg	18 kg	21 kg	24 kg

	PerfectWall PW1500			
Larghezza:	4 m	4,5 m	5 m	5,5 m
Estensione:	2,5 m / 2,75 m			
Peso:	27 kg	30 kg	33 kg	36 kg

**WAARSCHUWING!**

- Deze handleiding moet voor gebruik, inrichting, reiniging en onderhoud worden gelezen en begrepen.
- Dit toestel moet door een vakman worden geïnstalleerd. Onjuiste installatie kan leiden tot ernstig letsel. Constructiewijzigingen van het toestel kunnen zeer gevaarlijk zijn of leiden tot defecten van het toestel.
- Deze handleiding moet bij het toestel worden bewaard. De eigenaar moet de handleiding nauwkeurig lezen.

Inhoudsopgave

1	Aanwijzingen voor het gebruik van de handleiding	71
2	Veiligheidsinstructies	71
3	Omvang van de levering	74
4	Toebehoren	74
5	Gebruik volgens bestemming	74
6	Technische beschrijving	74
7	Zonneschermbedienen	75
8	Reiniging en verzorging	79
9	Garantie	81
10	Afvoer	81
11	Technische gegevens	82

1 Aanwijzingen voor het gebruik van de handleiding

**WAARSCHUWING!**

Veiligheidsaanwijzing: Het niet naleven kan leiden tot overlijden of ernstig letsel.

**LET OP!**

Het niet naleven ervan kan leiden tot materiële schade en de werking van het product beperken.

► **Handeling:** dit symbool geeft aan dat u iets moet doen. De vereiste handelingen worden stap voor stap beschreven.

✓ Dit symbool beschrijft het resultaat van een handeling.

Afb. 1 5, pagina 3: deze aanduiding wijst u op een element in een afbeelding, in dit voorbeeld op „positie 5 in afbeelding 1 op pagina 3”.

2 Veiligheidsinstructies

Neem de veiligheidsinstructies en voorschriften van de fabrikant van het voertuig en het garagebedrijf in acht!

De fabrikant kan in de volgende gevallen niet aansprakelijk worden gesteld voor schade:

- beschadiging van het product door mechanische invloeden en overspanningen
- veranderingen aan het product zonder uitdrukkelijke toestemming van de fabrikant
- gebruik voor andere dan de in de handleiding beschreven toepassingen

Neem volgende waarschuwingen in acht:

**WAARSCHUWING!**

- Controleer voor het vertrek of het zonneschermbloot volledig opgetrokken is. Beweeg bij een geopend zonneschermbloot nooit het voertuig.
- Rijd nooit met ingehangen kruk. Haal de kruk voor het rijden eraf.

- Rij niet met het voertuig als de doek beschadigd of ingescheurd is, ook als het zonnescerm reglementair gesloten is!
De zonnescermarmen worden door de doek vastgehouden. Als de doek bij het rijden scheurt, springt het zonnescerm plots los. Dat kan tot zware verwondingen leiden. Bevestig het zonnescerm zodanig dat het tijdens het rijden niet plotseling en onverwacht open kan gaan.
- Open het zonnescerm **niet** tijdens het rijden.
- Open het zonnescerm **niet** bij sterke wind of sneeuwval.
- Schuif het zonnescerm in als sterke wind, zware regen of sneeuwval worden verwacht.
- Zorg ervoor dat zich geen water of sneeuw op de doek verzamelt. Anders kan het zonnescerm beschadigd worden of de zonnescermarmen kunnen afbreken en zo zware verwondingen of de dood veroorzaken.
- Blijf uit de buurt van het zonnescerm,
 - als dit tijdens zware wind geopend is,
 - als zich waterplassen op het scherm hebben gevormd,
 - als het scherm met sneeuw is bedekt,
 - als zich veel grof vuil op het scherm bevindt.Het zonnescerm kan onverwacht bewegen, instabiel worden of buigen of afbreken.
- Laat het neergelaten zonnescerm niet onbeheerd. Trek het zonnescerm op voor u uw standplaats verlaat.
- Houd bij het barbecueën met open vuur voldoende afstand van het zonnescerm. De doek kan door de hitte beschadigd worden of in brand vliegen.
- Dit toestel kan door kinderen vanaf 8 jaar en ouder evenals door personen met verminderde fysieke, zintuiglijke of geestelijke vermogens of tekortschietende ervaring en kennis gebruikt worden, als ze worden begeleid of hun is uitgelegd hoe ze het toestel veilig kunnen gebruiken. Ook dienen ze inzicht te hebben in de gevaren die het gebruik van het toestel met zich meebrengt.
- Er moet toezicht worden gehouden op kinderen, zodat ze niet met het toestel gaan spelen.

**LET OP!**

- Stel de camper of de caravan zo op dat er geen vuil (takken, bladeren of dergelijke) op de doek terecht kunnen komen.
- Het doek van het zonnescerm mag langs de randen net doorhangen, maar moet steeds strak staan. Als de doek doorhangt, kan ze aan de armen schuren en beschadigd worden. Bij lange zonneschermen mag de doek in het midden doorhangen.
- Trek het zonnescerm alleen op als er geen vuil (takken, bladeren of dergelijke) op de doek ligt. Bij het inschuiven kan het zonnescerm anders beschadigd worden.
- Houd het zonnescerm schoon, om schuurplekken, vlekken en schimmel te voorkomen.
- Schuif het zonnescerm uitsluitend uit veiligheidsredenen nat in. Schuif het onmiddellijk weer uit, indien dit mogelijk is. Anders bestaat gevaar voor schimmelvorming, vlekken of verbleken van de kleur.
- Buig nooit een zonnescermarm of de kap naar onderen om water op het zonnescerm te laten aflopen. Het zonnescerm kan hierdoor buigen en de werking kan gehinderd worden.
- Hang geen voorwerpen aan het zonnescerm, noch aan de frontkap noch aan de zonnescermarmen.
- Gebruik geen sprays (bijv. insectenspray, haarspray) in de buurt van het zonnescerm. De doek wordt hierdoor vervuild of het afdruppeleffect van de doek kan hierdoor verloren gaan.
- Als na inbouw van het zonnescerm onvoldoende vrije ruimte boven de deur over is, moet de deur tijdens in- of uitbewegen gesloten blijven om contact van de deur met de armen of de frontlijst te vermijden.
De vereiste vrije ruimte hangt af van de bouwwijze van de deur (deurbreedte, zwenkende deur of schuifdeur) alsmede van de ingestelde hoek van het zonnescerm.

3 Omvang van de levering

Aantal	Omschrijving
1	Zonneschermb
1	Gebruiksaanwijzing
1	Montagehandleiding

4 Toebehoren

Als toebehoren verkrijgbaar (niet in de leveringsomvang inbegrepen):

Omschrijving	Artikelnummer
Dometic Light LK120 LED-verlichting met afstandsbediening voor de montage aan de zonneschermbarmen	9106504018
Tie Down Kit Riemen voor het spannen van de luifels	9103104000

5 Gebruik volgens bestemming

De zonneschermb PerfectWall PW1000 en PW1500 zijn geschikt voor de montage aan campers of caravans.

De zonneschermb mogen alleen bij stilstand worden gebruikt.

6 Technische beschrijving

PerfectWall PW1000 en PW1500 zijn zonneschermb die met een hand-zwengel kunnen worden in- en uitgeschoven. De zonneschermb worden met steunen tegen de voertuigwand of op de grond beveiligd.

7 Zonnescherm bedienen

Neem ook de veiligheidsaanwijzingen in acht in hoofdstuk „Veiligheidsinstructies” op pagina 71!

7.1 Aanwijzingen bij de standplaats van het voertuig



LET OP!

- Stel het voertuig zodanig op dat er geen vuil (takken, bladeren of dergelijke) op de doek terecht kunnen komen.
- Houd het zonnescherm schoon, om schuurplekken, vlekken en schimmel te voorkomen.

7.2 Zonnescherm neerlaten



WAARSCHUWING! Gevaar voor verwonding!

Houd voldoende afstand tot voorwerpen of andere voertuigen. Na het neerlaten moet rondom een minimumafstand tot andere voorwerpen of voertuigen van 40 cm worden aangehouden.

- Vergrendel de handzwengel in de opname van het zonnescherm (afb. **1**, pagina 3).
- Draai de handzwengel tot het zonnescherm ongeveer 1,5 m is uitgeschoven (afb. **2**, pagina 3).
- Schuif de rechter steunen in de frontkap volledig in elkaar zodat deze vrij kunnen bewegen (afb. **3**, pagina 4).
- Draai de rechter steun opzij (afb. **3**, pagina 4).
- Klap de rechter steun omlaag en plaats hem op de grond (afb. **4**, pagina 4).
- Stel de steun in op de gewenste hoogte (afb. **5**, pagina 5).
- Klap de hendel van de steun omhoog om de steun te fixeren (afb. **6**, pagina 5).
- Doe hetzelfde bij de andere steun.
- Draai de handzwengel tot het zonnescherm in de gewenste stand neergelaten is. Plaats de steun regelmatig verticaal onder frontkap zodat het zonnescherm steeds veilig wordt ondersteund.

- Draai de handzwengel ca. een 1/4 omdraaiing terug opdat de doek gespannen wordt.

**LET OP! Gevaar voor beschadiging!**

Het doek van het zonnescherm mag langs de randen net doorhangen, maar moet steeds strak staan. Als de doek doorhangt, kan ze aan de armen schuren en beschadigd worden. Bij lange zonneschermen mag de doek in het midden doorhangen.

- Neem de handzwengel uit de opname van het zonnescherm.

Steunen op de grond plaatsen**WAARSCHUWING! Gevaar voor verwonding**

- Plaats de steunen uitsluitend op een vaste ondergrond.
- Beveilig de steun tegen wegglijden.

- Plaats de steun verticaal onder de frontkap.
- Borg de steun met haringen (afb. **7**, pagina 5).
- Plaats een steun iets dieper, zodat de frontkap iets schuin hangt. Zo kan regenwater er beter direct aflopen (afb. **8**, pagina 6).

Steun aan het voertuig bevestigen

U kunt het zonnescherm direct aan uw voertuig bevestigen, indien u de steunvergrendelingen heeft gemonteerd.

- Schuif de afdekking van de vergrendeling omhoog (afb. **9**, pagina 6).
- Hang de steun in de vergrendeling (afb. **9**, pagina 6).
- Schuif de afdekking van de vergrendeling omlaag (afb. **9**, pagina 6).
- Plaats een steun iets dieper, zodat de frontkap iets schuin hangt (afb. **10**, pagina 6).

Spanstang monteren

Bij zonneschermen met een lengte van 4 m of meer moet een spanstang in het midden van het zonneschermbedieningspaneel worden bevestigd. Hierdoor wordt verhinderd dat het zonneschermbedieningspaneel doorhangt.

- Schuif de spanstang in elkaar (afb. 11, pagina 7).
- Vergrendel het bovendie van de spanstang in de opname van de behuizing (afb. 11, pagina 7).
- Schuif het andere die van de spanstang in de opname in de frontkap (afb. 11, pagina 7).

7.3 Zonneschermbetrekken



LET OP!

- Trek het zonneschermbedieningspaneel alleen op als er geen vuil (takken, bladeren of dergelijke) op de doek ligt. Bij het betrekken kan het zonneschermbedieningspaneel anders beschadigd worden.
 - Houd het zonneschermbedieningspaneel schoon, om schuurplekken, vlekken en schimmel te voorkomen.
 - Let er bij het betrekken van het zonneschermbedieningspaneel op dat er geen takken of andere voorwerpen ingeklemd worden.
- Verwijder vuil (takken, bladeren of dergelijke) dat op de doek ligt.
 - Maak de bevestiging van de steunen los (haringen of vergrendeling van het voertuig)
 - Vergrendel het bovendie van de handzwengel in de opname van het zonneschermbedieningspaneel.
 - Draai de handzwengel tot het zonneschermbedieningspaneel nog slechts 1,5 m uitgeschoven is. Plaats de steunen regelmatig verticaal onder frontkap zodat het zonneschermbedieningspaneel steeds veilig wordt ondersteund.
 - Klap de hendel van de rechtersteun omlaag om de steun los te maken.
 - Schuif de steun volledig in elkaar.
 - Klep de rechtersteun omhoog.
 - Draai de rechtersteun in de frontkap.
 - Schuif het onderste die van de rechter steun in de vergrendeling van de frontkap.

- Schuif de andere steun ook in.
- Draai aan de handzwengel tot het zonneschermbedieningsmechanisme volledig opgetrokken is.
- Controleer of het zonneschermbedieningsmechanisme volledig opgetrokken is voor u vertrekt. De frontkap moet dicht tegen de behuizing liggen.
- Neem de handzwengel uit de opname van het zonneschermbedieningsmechanisme.

**LET OP! Gevaar voor beschadiging!**

Als het zonneschermbedieningsmechanisme in natte toestand opgetrokken werd, laat het dan bij de volgende gelegenheid opnieuw neer en laat de doek drogen. Als de natte doek langere tijd opgerold blijft, wordt het muf en de kleuren kunnen verbleken.

8 Reiniging en verzorging

8.1 Reinigen

**LET OP! Gevaar voor beschadiging!**

- Reinig het zonnescerm **nooit** met een hogedrukreiniger.
- Gebruik voor het reinigen geen bijtende reinigingsmiddelen of harde voorwerpen, het product zou hierdoor kunnen beschadigen.

- Verwijder grondig al het vuil (takken, bladeren en dergelijke) dat op de doek ligt om schuurplekken, vlekken en schimmel te vermijden. Bovendien kan het zonnescerm worden beschadigd, als deze wordt ingeschoven.
- Reinig de doek van het zonnescerm regelmatig om stof en vuil te verwijderen:
 - Gebruik hiervoor water met 30 g afwasmiddel en 30 g bleekmiddel op 10 liter water.
 - Zeep de doek daarmee in en laat de reinigingsvloeistof vijf minuten inwerken.
 - Spoel grondig met helder water na. Zorg ervoor dat de reinigingsvloeistof met het bleekmiddel volledig afgewassen is. Anders kan de doek beschadigd worden.
 - Laat de doek drogen.

**INSTRUCTIE**

De fabrikant adviseert:

- Gebruik voor de reiniging van het doek het Dometic Clean&Care luifelreinigingsmiddel (artikelnr. 9103501116, verkrijgbaar bij uw servicepartner).

8.2 Smeren

- Behandel indien nodig de scharnieren van het zonnescerm met paraffinewas of teflon- of siliconeolie.

8.3 Controleren

**WAARSCHUWING!**

Gebruik het zonnescerm niet, als instellingen of reparaties moeten worden uitgevoerd.

Als u schade vaststelt, neem dan contact op met de service-partner in het betreffende land (adressen zie achterkant van de handleiding).

- Controleer het zonnescerm regelmatig op onbalans en slijtage alsmede op beschadiging van kritieke onderdelen.
- Controleer het zonnescerm regelmatig:
 - Is de doek onbeschadigd?
 - Zijn de armen en de frontkap onbeschadigd en zonder slijtagesporen?
 - Sluit het zonnescerm correct?

8.4 Draai de schroeven van de schouderscharnieren vast

De schroeven aan het schouderscharnier moeten na eerste belastingen opnieuw worden vastgedraaid:

- na de eerste vakantie met gebruik van het zonnescerm
- na 20000 km rijden of zes maanden na inbouw van het zonnescerm (welke het eerste is)

Bovendien moeten de schroeven aan het schouderscharnier bij regelmatige voertuigcontroles worden gecontroleerd.

Neem voor het vastdraaien van de schroeven contact op met uw service-partner.

Service-instructie (afb. 12, pagina 7)**LET OP!**

De zonnescermarmen moeten lastvrij zijn zodat het aandraaimoment van de schroeven duidelijk is.

- Til de frontlijst iets op zodat de scharnieren lastvrij zijn.
- Draai de schroeven aan met 15 – 25 Nm.

8.5 Kleine gaatjes in de doek repareren

Kleine gaatjes in de doek of plaatsen waarop de coating verdwijnt, kunt u zelf repareren:

- ▶ Wrijf met een katoenen doek rondom de beschadigde plaats een beetje vloeibare vinylplamuur (artikelnr. 9103104018, verkrijgbaar via uw servicepartner).
- ✓ De vloeibare vinylplamuur lost de coating op. De coating sluit het gat bij het drogen.
- ▶ Wacht tot de plaats droog is voor u het zonnescherm opnieuw optrekt.

9 Garantie

De wettelijke garantieperiode is van toepassing. Als het product defect is, wendt u zich tot uw speciaalzaak of tot het filiaal van de fabrikant in uw land (adressen zie achterkant van de handleiding).

Voor de afhandeling van de reparatie of garantie dient u de volgende documenten mee te sturen:

- een kopie van de factuur met datum van aankoop,
- reden van de klacht of een beschrijving van de storing.

10 Afvoer

- ▶ Laat het verpakkingsmateriaal indien mogelijk recyclen.



Als u het product definitief buiten bedrijf stelt, informeer dan bij het dichtstbijzijnde recyclingcentrum of uw speciaalzaak naar de betreffende afvoervoorschriften.

11 Technische gegevens

	PerfectWall PW1000				
Breedte:	2,6 m	3 m	3,5 m	4 m	4,5 m
Neergelaten:	2,5 m				
Gewicht:	18,6 kg	21 kg	24 kg	27 kg	30 kg

	PerfectWall PW1500			
Breedte:	1,5 m	2,6 m	3 m	3,5 m
Neergelaten:	1 m	2 m	2,5 m	2,5 m / 2,75 m
Gewicht:	12 kg	18 kg	21 kg	24 kg

	PerfectWall PW1500			
Breedte:	4 m	4,5 m	5 m	5,5 m
Neergelaten:	2,5 m / 2,75 m			
Gewicht:	27 kg	30 kg	33 kg	36 kg

**ADVARSEL!**

- Denne vejledning skal læses og forstås før anvendelsen, indstillingen, rengøringen og vedligeholdelsen.
- Dette apparat skal installeres af en fagmand. En forkert installation kan medføre alvorlige kvæstelser. Ombygninger på apparatet kan være yderst farlige og medføre alvorlige kvæstelser eller skader på apparatet.
- Denne vejledning skal blive ved apparatet. Ejeren skal læse den opmærksomt.

Indholdsfortegnelse

1	Henvisninger vedr. brug af vejledningen	84
2	Sikkerhedshenvisninger	84
3	Leveringsomfang	87
4	Tilbehør	87
5	Korrekt brug	87
6	Teknisk beskrivelse	87
7	Betjening af markisen	88
8	Rengøring og vedligeholdelse	91
9	Garanti	93
10	Bortskaffelse	93
11	Tekniske data	94

1 Henvisninger vedr. brug af vejledningen

**ADVARSEL!**

Sikkerhedshenvisning: Manglende overholdelse kan medføre død eller alvorlig kvæstelse.

**VIGTIGT!**

Manglende overholdelse kan medføre materielle skader og begrænse produktets funktion.

► **Handling:** Dette symbol viser dig, at du skal gøre noget. De påkrævede handlinger beskrives trin for trin.

✓ Dette symbol beskriver resultatet af en handling.

Fig. 1 5, side 3: Denne information henviser til et element på en figur, i dette eksempel til „Position 5 på figur 1 på side 3“.

2 Sikkerhedshenvisninger

Overhold sikkerhedshenvisningerne og pålæggene, der er foreskrevet af køretøjsproducenten og af automobilbranchen!

Producenten påtager sig intet ansvar for skader i følgende tilfælde:

- Beskadigelser på produktet på grund af mekanisk påvirkning og overspænding
- Ændringer på produktet uden udtrykkelig tilladelse fra producenten
- Anvendelse til andre formål end dem, der er beskrevet i vejledningen

Overhold følgende advarselshenvisninger:**ADVARSEL!**

- Kontrollér, om markisen er kørt helt ind, før du kører. Flyt ikke køretøjet, når markisen er åbnet.
- Kør aldrig med påsat håndsving. Tag håndsvinget af, før du kører.
- Kør ikke med køretøjet, når dugen er beskadiget eller har revner, selv om markisen er lukket korrekt! Markisearmene holdes af dugen. Hvis dugen rives over under kørslen, køres markisen pludseligt ud. Det kan medføre alvorlige kvæstelser. Sørg for at sikre markisen, så den ikke kan køre ud pludseligt og uventet under kørslen.
- Åbn **ikke** markisen under kørlsenw.
- Åbn **ikke** markisen ved kraftig vind eller i snevejr.
- Kør markisen ind, hvis der forventes kraftig vind, kraftig regn eller snevejr.
- Sørg for, at der ikke samler sig vand eller sne på dugen. Ellers kan markisen blive beskadiget, eller markisearmene kan brække af og forårsage alvorlige kvæstelser eller død.
- Nærm dig ikke markisen,
 - når den blev efterladt åben under kraftig vind,
 - når der har dannet sig vandpytter på den,
 - når der har samlet sig sne,
 - når der befinder sig meget grov smuds på markisens dug.Markisen kan bevæge sig uventet, blive ustabil og bøjes og brække af.
- Lad ikke den udkørte markise være uden opsyn. Kør markisen ind, før du forlader pladsen.
- Sørg for afstand til markisen, når der grilles med åben ild. Dugen kan blive beskadiget af varmen eller bryde i brand.
- Dette apparat kan anvendes af børn over 8 år og derudover af personer med begrænsede fysiske, sanse- eller mentale evner eller uden erfaring eller viden, hvis de er under opsyn eller blev instrueret i sikker brug af apparatet og forstår farerne, der følger heraf.
- Børn bør være under opsyn for at sikre, at de ikke leger med apparatet.

**VIGTIGT!**

- Stil autocamperen eller campingvognen, så der ikke kan komme snavs (kviste, blade eller lignende) på dugen.
- Markisens dug må ikke hænge ned ved kanterne, men skal altid være stram. Hvis dugen hænger ned, kan den skure mod armene og blive beskadiget.
Ved lange markiser må dugen hænge ned i midten.
- Kør kun markisen ind, når der ikke ligger snavs (kviste, blade eller lignende) på dugen. Ellers kan markisen blive beskadiget, når den køres ind.
- Hold markisen fri for smuds for at forhindre afskrabninger, pletter og skimmel.
- Kør kun markisen ind i våd tilstand af sikkerhedsmæssige årsager. Kør den ud igen, så snart det er muligt. I modsat fald kan der dannes skimmel eller pletter, eller farven kan blegne.
- Bøj aldrig en markisearm eller afskærmningen ned for at lade vand løbe af markisen. Derved kan markisen blive bøjet, og dens funktion reduceres.
- Hæng ikke genstande på markisen, hverken på den forreste afskærmning eller på markisearmene.
- Anvend ikke sprays (f.eks. insektspray, hårspray) i nærheden af markisen. Derved bliver dugen snavset, eller dugens afperlende effekt kan gå tabt.
- Hvis der ikke er tilstrækkeligt frirum over døren, når markisen er monteret, skal døren forblive lukket, når den køres ind eller ud, så døren ikke kommer i kontakt med armene eller frontlisten. Den påkrævede frirum afhænger af dørens konstruktionstype (dørbredde, dreje- eller skydedør) samt den indstillede hældningsvinkel for markisen.

3 Leveringsomfang

Antal	Betegnelse
1	Markise
1	Betjeningsvejledning
1	Monteringsvejledning

4 Tilbehør

Kan fås som tilbehør (ikke indeholdt i leveringsomfanget):

Betegnelse	Artikelnummer
Dometic Light LK120 Lysdiodebelysning med fjernbetjening til montering på markisearmene	9106504018
Tie Down Kit Remme til at spænde markisen	9103104000

5 Korrekt brug

Markiserne PerfectWall PW1000 og PW1500 er egnede til montering på autocampere eller campingvogne.

Markiserne må ikke anvendes under kørslen.

6 Teknisk beskrivelse

PerfectWall PW1000 og PW1500 er markiser, der kan køber ind og ud ved hjælp af et håndsving. Markiserne sikres med støtter på køretøjets væg eller på jorden.

7 Betjening af markisen

Læs også sikkerhedshenvisningerne i kapitlet „Sikkerhedshenvisninger“ på side 84!

7.1 Henvisninger vedr. placering af køretøjet

**VIGTIGT!**

- Stil køretøjet, så der ikke kan komme snavs (kviste, blade eller lignende) på dugen.
- Hold markisen fri for smuds for at forhindre afskrabninger, pletter og skimmel.

7.2 Udkøring af markisen

**ADVARSEL! Fare for kvæstelser!**

Hold tilstrækkelig afstand til genstande og andre køretøjer. Når der køres ud, skal der hele vejen rundt være en minimumafstand til andre genstande eller køretøjer på 40 cm.

- Lad håndsvinget gå i indgreb i markisens holder (fig. **1**, side 3).
- Drej håndsvinget, indtil markisen er kørt ca. 1,5 m ud (fig. **2**, side 3).
- Skub den højre støtte i den forreste afskærmning fuldstændigt sammen, så du kan bevæge den frit (fig. **3**, side 4).
- Drej den højre støtte til side (fig. **3**, side 4).
- Klap den højre støtte ned og væk, og stil den på jorden (fig. **4**, side 4).
- Indstil støtten på den ønskede højde (fig. **5**, side 5).
- Klap støttens håndtag op for at fastgøre støtten (fig. **6**, side 5).
- Kør den anden støtte ud på samme måde.
- Drej håndsvinget, indtil markisen er kørt ud til den ønskede stilling. Stil støtten regelmæssigt lodret under den forreste afskærmning, så markisen altid holdes sikkert.
- Drej håndsvinget ca. en 1/4 omdrejning tilbage, så dugen strammes.



VIGTIGT! Fare for beskadigelse!

Markisens dug må ikke hænge ned ved kanterne, men skal altid være stram. Hvis dugen hænger ned, kan den skure mod armene og blive beskadiget.

Ved lange markiser må dugen hænge ned i midten.

- Tag håndsvinget ud af markisens holder.

Opstilling af støtten på jorden



ADVARSEL! Fare for kvæstelser

- Stil støtten udelukkende på fast undergrund.
- Sørg for at sikre støtten mod at glide væk.

- Stil støtten lodret under den forreste afskærmning.
- Sørg for at sikre støtten med pløkker (fig. **7**, side 5).
- Indstil en støtte lidt lavere, så den forreste afskærmning hænger lidt skråt. Så kan let regn løbe direkte af (fig. **8**, side 6).

Fastgørelse af støtten på køretøjet

Du kan fastgøre markisen direkte på dit køretøj, når låsene for støtterne har monteret.

- Skub låsens afdækning op (fig. **9**, side 6).
- Sæt støtten ind i låsen (fig. **9**, side 6).
- Skub låsens afdækning ned (fig. **9**, side 6).
- Indstil en støtte lidt lavere, så den forreste afskærmning hænger lidt skråt. Så kan let regn løbe direkte af (fig. **10**, side 6).

Montering af spændestangen

Ved markiser med en længde på 4 m eller mere skal der fastgøres en spændestang i midten af markisen. Derved forhindres det, at markisen hænger ned.

- Skub spændestangen sammen (fig. **11**, side 7).
- Fastgør den øverste ende af spændestangen i holdeanordningen på huset (fig. **11**, side 7).
- Skub den anden ende af spændestangen i holdeanordningen i den forreste afskærmning (fig. **11**, side 7).

7.3 Indkøring af markisen



VIGTIGT!

- Kør kun markisen ind, når der ikke ligger snavs (kviste, blade eller lignende) på dugen. Ellers kan markisen blive beskadiget, når den køres ind.
- Hold markisen fri for smuds for at forhindre afskrabninger, pletter og skimmel.
- Sørg for, at grene eller andre genstande ikke kommer i klemme, når markisen køres ind.

- Fjern snavs (kviste, blade og lignende), der ligger på dugen.
- Løsn støtternes fastgørelse (pløkker eller lås på køretøjet).
- Fastgør den øverste ende af håndsvinget i markisens holder.
- Drej håndsvinget, indtil markisen er kørt kun ca. 1,5 m ud. Stil støtterne regelmæssigt lodret under den forreste afskærmning, så markisen altid holdes sikkert.
- Klap den højre støttes håndtag ned for at løsne støtten.
- Skub støtten fuldstændigt sammen.
- Klap den højre støtte op.
- Drej den højre støtte ind i den forreste afskærmning.
- Skub den nederste del af den højre støtte ind i den forreste afskærmnings lås.
- Kør den anden støtte ind på samme måde.
- Drej håndsvinget, indtil markisen er kørt helt ind.
- Kontrollér, at markisen er kørt helt ind, før du kører. Den forreste afskærmning skal ligge tæt op mod huset.
- Tag håndsvinget ud af markisens holder.



VIGTIGT! Fare for beskadigelse!

Hvis markisen blev kørt ind i våd tilstand, skal du køre den ud igen ved næste lejlighed og lade dugen tørre. Hvis den våde dug er rullet sammen i længere tid, bliver den jordslået, og farverne kan falme.

8 Rengøring og vedligeholdelse

8.1 Rengøring

**VIGTIGT! Fare for beskadigelse!**

- Rengør **aldrig** markisen med en højtryksrenser.
- Anvend ikke skræppe rengøringsmidler eller hårde genstande ved rengøringen, da de kan beskadige produktet.

- Fjern al smuds (grene, blade eller lignende), der ligger på dugen, for at undgå afskrabninger, pletter og skimmel. Derudover kan markisen beskadiges, når den køres ind.
- Rengør markisens dug regelmæssigt for at fjerne støv og snavs:
 - Anvend dertil vand med 30 g opvaskemiddel og 30 g blegemiddel i forhold til 10 l vand.
 - Indsæb dugen dermed, og lad rengøringsvæsken virke i fem minutter.
 - Skyl grundigt med rent vand.
Sørg for, at rengøringsvæsken med blegemidlet er vasket helt af. I modsat kan dugen blive beskadiget.
 - Lad dugen tørre.

**BEMÆRK**

Producenten anbefaler:

- Anvend Dometic Clean&Care markise-rengøringsmiddel (art.nr. 9103501116, fås hos din servicepartner) for at rengøre dugen.

8.2 Smøring

- Smør efter behov markisens led med paraffinvoks, teflon- eller siliconeolie.

8.3 Kontrol

**ADVARSEL!**

Anvend ikke markisen, når indstillinger eller reparationer er nødvendig.

Kontakt servicepartnerneren i det pågældende land (adresser, se vejledningens bagside), hvis du konstaterer skader.

- Undersøg regelmæssigt markisen for uligevægt og slid samt for beskadigelser på kritiske dele.
- Kontrollér regelmæssigt markisen:
 - Er dugen ubeskadiget?
 - Er armene og den forreste afskærmning ubeskadigede og uden slidspor?
 - Lukker markisen korrekt?

8.4 Efterspændning af skulderleddenes skruer

Skruerne på skulderleddet skal efterspændes efter de første belastninger:

- efter den første ferie med brug af markisen
- efter 20000 km kørt km eller seks måneder efter monteringen af markisen (afhængigt af, hvad der indtræder først)

Desuden skal skruerne på skulderleddet kontrolleres i forbindelse med den regelmæssige inspektion af køretøjet.

Kontakt en servicepartner i forbindelse med efterspændingen af skruerne.

Anvisning i forbindelse med service (fig. 12, side 7)

**VIGTIGT!**

Markisearmene skal være uden belastning, så skruernes tilspændingsmoment ikke er forkert.

- Løft frontlisten lidt, så leddene er uden belastning.
- Efterspænd skruerne med 15 – 25 Nm.

8.5 Reparation af små huller i dugen

Små huller i dugen eller steder, hvor belægningen løsner sig, kan du selv reparere:

- ▶ Gnid lidt flydende vinylplaster (art.nr. 9103104018, kan bestilles hos din servicepartner) omkring det beskadigede sted med en bomuldsklud.
- ✓ Det flydende vinylplaster opløser belægningen lidt. Belægningen lukker hullet, når den tørrer.
- ▶ Vent, indtil stedet er tørret, før du igen kører markisen ind.

9 Garanti

Den lovbestemte garantiperiode gælder. Hvis produktet er defekt, skal du kontakte din forhandler eller producentens afdeling i dit land (adresser, se vejledningens bagside).

Ved reparation eller krav om garanti skal du medsende følgende bilag:

- En kopi af regningen med købsdato
- En reklamationsgrund eller en fejlbeskrivelse

10 Bortskaffelse

- ▶ Bortskaf så vidt muligt emballagen sammen med det tilsvarende genbrugsaffald.



Hvis du tager produktet endegyldigt ud af drift, skal du kontakte det nærmeste recyclingcenter eller din faghandel for at få de pågældende forskrifter om bortskaffelse.

11 Tekniske data

	PerfectWall PW1000				
Bredde:	2,6 m	3 m	3,5 m	4 m	4,5 m
Udtræk:	2,5 m				
Vægt:	18,6 kg	21 kg	24 kg	27 kg	30 kg

	PerfectWall PW1500			
Bredde:	1,5 m	2,6 m	3 m	3,5 m
Udtræk:	1 m	2 m	2,5 m	2,5 m / 2,75 m
Vægt:	12 kg	18 kg	21 kg	24 kg

	PerfectWall PW1500			
Bredde:	4 m	4,5 m	5 m	5,5 m
Udtræk:	2,5 m / 2,75 m			
Vægt:	27 kg	30 kg	33 kg	36 kg

**VARNING!**

- Bruksanvisningen måste läsas och förstås före användning, installation, rengöring eller underhåll.
- Apparaten måste installeras av en fackman. Om installationen inte går rätt till kan följderna bli allvariga skador. Ombyggnation av maskinen är förenat med betydande fara och kan leda till allvarliga personskador eller skador på apparaten.
- Bruksanvisningen måste förvaras i apparaten. Innehavaren måste läsa den noggrant.

Innehållsförteckning

1	Information om bruksanvisningen	96
2	Säkerhetsanvisningar	96
3	Leveransomfattning	99
4	Tillbehör	99
5	Ändamålsenlig användning	99
6	Teknisk beskrivning	99
7	Använda markisen	100
8	Rengöring och skötsel	103
9	Garanti	105
10	Avfallshantering	105
11	Tekniska data	106

1 Information om bruksanvisningen

**VARNING!**

Observera: Beaktas anvisningen ej kan det leda till dödsfara eller svåra skador.

**OBSERVERA!**

Om anvisningarna inte beaktas kan det leda till materialskador och produktens funktion kan påverkas negativt.

► **Arbetssteg:** denna symbol står framför en arbetsinstruktion.
Tillvägagångssättet beskrivs steg för steg.

✓ Denna symbol står framför beskrivningen av resultatet.

Bild 1 5, sidan 3: anger en detalj på en bild, i detta exempel "position 5 på bild 1 på sidan 3".

2 Säkerhetsanvisningar

Beakta säkerhetsanvisningarna och riktlinjerna från fordonstillverkaren samt reglerna för bilmekaniska arbeten!

Tillverkaren övertar inget ansvar för skador i följande fall:

- skador på produkten, orsakade av mekanisk påverkan eller överspänning
- ändringar som utförts utan uttryckligt medgivande från tillverkaren
- ej ändamålsenlig användning

Beakta följande varningar:**WARNING!**

- Kontrollera att markisen är helt inkörd innan färd påbörjas. Kör aldrig fordonet när markisen är utkörd.
- Kör aldrig med fixerad vev. Ta bort veven innan färd påbörjas.
- Kör inte fordonet om duken är skadad eller har en reva, även om markisen är helt inkörd! Markisarmarna hålls fast av duken. Om duken rivs av under färd kan armarna åka ut. Det kan orsaka allvarliga skador. Fixera markisen så att den inte plötsligt eller oväntat åker ut under färd.
- Öppna **inte** markisen under färd.
- Öppna **inte** markisen vid kraftig blåst eller snöfall.
- Kör in markisen om det väntas kraftig blåst, ihållande regn eller snöfall.
- Se till att inte vatten eller snö samlas på duken. Annars kan markisen skadas eller så kan markisarmarna brytas av och på så sätt kan allvarliga skador eller dödsfall orsakas.
- Kom inte för nära markisen:
 - om den lämnats öppen vid stark blåst
 - om det bildats vattenpölar på den
 - om snö har hopats på den
 - om markisduken är kraftigt nedsmutsad.Annars kan markisen oväntat börja röra på sig, bli ostadig och deformeras eller gå av.
- Lämna inte den utkörda markisen utan uppsikt. Kör in markisen innan du lämnar uppställningsplatsen.
- Grilla inte med öppen eld i närheten av markisen. Duken kan skadas av hettan eller fatta eld.
- Denna apparat kan användas av barn från 8 år samt av personer med fysiska, sensoriska eller mentala funktionshinder och personer som saknar erfarenhet och kunskap under förutsättning att de använder den under uppsikt eller fått instruktioner om hur apparaten används på ett säkert sätt och känner till ev. risker i samband med användningen.
- Barn bör hållas under uppsikt, så att de inte leker med apparaten.

**OBSERVERA!**

- Ställ husbilen eller husvagnen på en plats där inte smuts (kvistar, löv eller liknande) kan falla ner på duken.
- Markisens duk får inte hänga ner vid kanterna, den måste vara spänd. Om markisen hänger ned kan den skava mot armarna och skadas.
På långa markiser måste duken hänga ner i mitten.
- Kör inte in markisen om det ligger smuts på duken (kvistar, löv eller liknande). Markisen kan skadas om den körs in med smuts.
- Se till att det inte hamnar smuts på markisen så att det inte uppstår skav, fläckar eller mögel.
- Om markisen är våt får du bara köra in den av säkerhetsskäl. Kör sedan ut den så fort som möjligt igen. Annars kan det bildas mögel eller fläckar på markisen eller färgen kan blekna.
- Böj aldrig ner en markisarm eller kappan för att ta bort vatten på markisen. Markisen kan böjas och orsaka skador på funktionen.
- Häng inga föremål på markisen, varken på frontkappan eller markisarmarna.
- Använd inga sprayer (t.ex. insektsspray, hårspray) i närheten av markisen. Duken kan smutsas ner eller så kan impregneringen skadas.
- Om det inte finns tillräckligt mycket fritt utrymme över dörren när markisen har monterats, ska dörren vara stängd när markisen körs ut och in. På så sätt undviker man att armarna eller frontlisten vidrör dörren.
Det fria utrymmet varierar beroende på dörrens konstruktion (dörrens bredd, svängdörr eller skjutdörr) och markisens inställda lutningsvinkel.

3 Leveransomfattning

Antal	Beteckning
1	Markis
1	Bruksanvisning
1	Monteringsanvisning

4 Tillbehör

Följande tillbehör finns tillgängliga (ingår inte i leveransen):

Beteckning	Artikelnummer
Dometic Light LK120 LED-belysning med fjärrkontroll för montering på markisarmarna	9106504018
Tie Down Kit Remmar för fastspänning av markisen	9103104000

5 Ändamålsenlig användning

Markiserna PerfectWall PW1000 och PW1500 ska monteras på husbilar eller husvagnar.

Markiserna får endast användas när husbilen/husvagnen står still.

6 Teknisk beskrivning

Markiserna PerfectWall PW1000 och PW1500 kan köras in och ut med hjälp av en handvev. Markiserna fixeras i fordonsväggen eller i golvet med hjälp av stöd.

7 Använda markisen

Observera även säkerhetsanvisningarna i kapitel "Säkerhetsanvisningar" på sidan 96!

7.1 Information om fordonets uppställningsplats

**OBSERVERA!**

- Ställ fordonet på en plats där inte smuts (kvistar, löv eller liknande) kan falla ner på duken.
- Se till att det inte hamnar smuts på markisen så att det inte uppstår skav, fläckar eller mögel.

7.2 Köra ut markisen

**VARNING! Risk för skador!**

Lämna tillräckligt stort avstånd till föremål eller andra fordon. Efter att markisen har körts ut måste det vara minst 40 cm avstånd till andra föremål eller fordon runt om markisen.

- Haka fast handveven i markisens hållare (bild **1**, sida 3).
- Veva handveven tills markisen har körts ut till cirka 1,5 m (bild **2**, sida 3).
- Skjut ihop stödet i höger frontkappa så att du kan röra det fritt (bild **3**, sida 4).
- Vrid det högra stödet åt sidan (bild **3**, sida 4).
- Fäll ned det högra stödet och ställ upp på marken (bild **4**, sida 4).
- Ställ in stödet i önskad höjd (bild **5**, sida 5).
- När du vill fixera stödet fäller du upp spaken till stöden (bild **6**, sida 5).
- Kör ut det andra stödet på exakt samma sätt.
- Veva handveven tills markisen har körts ut till önskad längd. Placera stödet jämnt och lodrätt under frontkappan så att markisen under alla omständigheter sitter säkert.
- Veva tillbaka handveven cirka 1/4 varv så att duken spänns.

**OBSERVERA! Risk för skador!**

Markisens duk får inte hänga ner vid kanterna, den måste vara spänd. Om markisen hänger ned kan den skava mot armarna och skadas.

På långa markiser måste duken hänga ner i mitten.

- Lösgör handveven från markisens hållare.

Ställ upp stödet på golvet**WARNING! Risk för skador**

- Stödet får bara ställas upp på fast underlag.
- Säkra stödet så att det inte glider iväg.

- Placera stödet i lodrätt läge under det frontkappan.
- Fixera stödet med pinnarna (bild **7**, sida 5).
- Placera ett av stöden lite djupare så att frontkappan hänger lite på sned. Det gör att lätt regn rinner av (bild **8**, sida 6).

Fästa stöd i fordonet

Markisen kan fästas direkt i fordonet när du har monterat stödlåsen.

- Flytta låsskyddet uppåt (bild **9**, sida 6).
- Fäst stödet i låset (bild **9**, sida 6).
- Flytta låsskyddet nedåt (bild **9**, sida 6).
- Placera ett av stöden lite djupare så att frontkappan hänger lite på sned. Det gör att lätt regn rinner av (bild **10**, sida 6).

Montera spännstång

På markiser som är 4 m långa eller längre måste en spännstång sättas fast i markisens mitt. På så sätt förhindrar man att markisen bågnar.

- Skjut ihop spännstången (bild **11**, sida 7).
- Haka i spännstångens övre ände i höljets hållare (bild **11**, sida 7).
- Skjut in spännstångens andra ände i hållaren som sitter i frontkappan (bild **11**, sida 7).

7.3 Köra in markisen



OBSERVERA!

- Kör inte in markisen om det ligger smuts på duken (kvistar, löv eller liknande). Markisen kan skadas om den körs in med smuts.
- Se till att det inte hamnar smuts på markisen så att det inte uppstår skav, fläckar eller mögel.
- Se till att inga grenar eller andra föremål kläms fast när markisen körs in.

- Ta bort all smuts (kvistar, löv eller liknande) som ligger på duken.
- Lossa på stödets fästianordningar (pinnar eller lås på fordonet).
- Haka i handvevens övre ände i markisens hållare.
- Veva handveven tills markisen har körts ut till cirka 1,5 m. Placera stöden jämnt och lodrätt under det främre solskyddet så att markisen under alla omständigheter sitter säkert.
- När du vill lossa på stödet fäller du ned spaken till det högra stödet.
- Skjut ihop stödet helt och hållet.
- Fäll upp det högra stödet.
- Vrid det högra stödet i frontkappan.
- Skjut in det högra stödets underdel i låset i frontkappan.
- Kör in det andra stödet på exakt samma sätt.
- Vrid handveven tills markisen är helt inkörd.
- Kontrollera att markisen är helt inkörd innan färd påbörjas. Frontkappan måste ligga tätt mot höljet.
- Lösgör handveven från markisens hållare.



OBSERVERA! Risk för skador!

Om markisen var blöt när den kördes in ska den köras ut så snabbt som möjligt så att duken kan torka. Om den blöta duken inte körs ut kan den mögla eller så kan färgen blekas.

8 Rengöring och skötsel

8.1 Rengöring

**OBSERVERA! Risk för skador!**

- Använd **aldrig** högtrycktvätt för att rengöra markisen.
- Använd inga starka rengöringsmedel eller hårda föremål vid rengöring, det kan skada produkten.

- Ta bort all slags smuts (kvistar, löv eller liknande) som ligger på duken så att det inte uppstår skav, fläckar eller mögel. Dessutom kan markisen skadas när den körs in.
- Rengör markisens duk regelbundet för att ta bort damm och smuts:
 - Använd vatten med 30 g diskmedel och 30 g blekmedel till 10 liter vatten.
 - Gnugga in rengöringsvätskan på duken och låt den verka i fem minuter.
 - Spola ordentligt med rent vatten.
Se till att rengöringsvätskan med blekmedlet är helt borttvättad.
Annars kan duken skadas.
 - Låt duken torka.

**ANVISNING**

Tillverkaren rekommenderar:

- Använd Dometics Clean&Care rengöringsmedel för markiser för rengöring av duken (art.nr 9103501116, erhålls från din servicepartner).

8.2 Smörja

- Smörj vid behov markisens leder med paraffinvax, teflon- eller silikonolja.

8.3 Kontrollera

**VARNING!**

Markisen får inte användas när apparaten behöver ställas in eller repareras.

Om du hittar några skador, kontakta din servicepartner (adresser hittar du på bruksanvisningens baksida).

- Kontrollera med jämna mellanrum om markisen är i obalans, uppvisar slitage eller är skadad på kritiska platser.
- Kontrollera markisen regelbundet:
 - Är duken oskadad?
 - Är armarna och frontkappan oskadade och slitagefria?
 - Stängs markisen på rätt sätt?

8.4 Efterdra skruvarna i länkarna

Skruvarna på länken måste efterdras efter den första belastningen:

- efter den första semestern när markisen använts
- efter 20000 km körning eller sex månader efter montering av markisen (beroende på vad som inträffar först)

Dessutom ska skruvarna på länken kontrolleras vid den regelbundna fordonsbesiktningen.

Kontakta din servicepartner när skruvarna ska efterdras.

Anvisningar för service (bild 12, sida 7)

**OBSERVERA!**

Markisens armar får inte utsättas för någon belastning, det leder till felaktigt åtdragningsmoment för skruvarna.

- Lyft frontlisten lite så att länkarna inte belastas.
- Dra åt skruvarna med 15 – 25 Nm.

8.5 Laga små hål i duken

Små hål i duken eller skador på beläggningsen kan du laga själv:

- ▶ Gnid in lite flytande vinyl med en bomullstrasa runt det skadade stället (artikel-nr: 9103104018, finns hos din servicepartner).
- ✓ Den flytande vinylen löser upp beläggningsen. Beläggningsen stänger hålet när den torkar.
- ▶ Vänta tills platsen är torr innan du kör in markisen igen.

9 Garanti

Den lagstadgade garantitiden gäller. Om produkten är defekt: kontakta återförsäljaren eller tillverkarens kontor i ditt land (adresser, se bruksanvisningens baksida).

Vid reparations- resp. garantiärenden ska följande skickas med:

- en kopia på fakturan med inköpsdatum,
- en reklambeskrivning/felbeskrivning.

10 Avfallshantering

- ▶ Lämna om möjligt förpackningsmaterialet till återvinning.



När produkten slutgiltigt tas ur bruk: informera dig om gällande bestämmelser hos närmaste återvinningscentral eller hos återförsäljaren.

11 Tekniska data

PerfectWall PW1000					
Bredd:	2,6 m	3 m	3,5 m	4 m	4,5 m
Utfall:	2,5 m				
Vikt:	18,6 kg	21 kg	24 kg	27 kg	30 kg

PerfectWall PW1500				
Bredd:	1,5 m	2,6 m	3 m	3,5 m
Utfall:	1 m	2 m	2,5 m	2,5 m / 2,75 m
Vikt:	12 kg	18 kg	21 kg	24 kg

PerfectWall PW1500				
Bredd:	4 m	4,5 m	5 m	5,5 m
Utfall:	2,5 m / 2,75 m			
Vikt:	27 kg	30 kg	33 kg	36 kg

**ADVARSEL!**

- Før bruk, innretting, rengjøring og vedlikehold må du lese og forstå denne veiledningen.
- Dette apparatet må installeres av en fagperson. Feil installasjon kan føre til alvorlige personskader. Ombygginger på apparatet kan være svært farlig og føre til alvorlige personskader eller til skader på apparatet.
- Denne veiledningen skal oppbevares sammen med apparatet. Eiereren må lese nøye gjennom den.

Innholdsfortegnelse

1	Tips for bruk av bruksanvisningen	108
2	Sikkerhetsregler	108
3	Leveringsomfang	111
4	Tilbehør	111
5	Tiltenkt bruk	111
6	Teknisk beskrivelse	111
7	Betjene markisen	112
8	Rengjøring og stell	115
9	Garanti	117
10	Deponering	117
11	Tekniske data	118

1 Tips for bruk av bruksanvisningen

**ADVARSEL!**

Sikkerhetsregel: Hvis man ikke overholder denne regelen, kan det føre til død eller alvorlig skade.

**PASS PÅ!**

Hvis man ikke overholder denne regelen, kan det føre til materielle skader og skade funksjonen til produktet.

► **Handling:** Dette symbolet indikerer at du må gjøre noe. De nødvendige handlingene beskrives trinnvis.

✓ Dette symbolet beskriver resultatet av en handling.

Fig. 1 5, side 3: Denne angivelsen henviser til et element i en illustrasjon, i dette eksemplet til «Posisjon 5 i illustrasjon 1 på side 3».

2 Sikkerhetsregler

Følg rådene og betingelsene som kjøretøyprodusenten og motorvognprodusenten har bestemt!

Produsenten tar i følgende tilfeller intet ansvar for skader:

- Skader på produktet på grunn av mekanisk påvirkning og overspenninger
- Endringer på produktet uten at det er gitt uttrykkelig godkjenning av produsenten
- Bruk til andre formål enn det som er beskrevet i veiledningen

Overhold disse advarslene:**ADVARSEL!**

- Før turen starter, må du kontrollere om markisen er kjørt helt inn. Ikke sett kjøretøyet i bevegelse mens markisen er åpen.
- Kjør aldri med sveiven hengt inn. Ta av sveiven før du skal kjøre.
- Ikke kjør kjøretøyet hvis duken er skadet eller revet opp, selv om markisen er forskriftsmessig lukket! Markisearmene holdes på plass av duken. Hvis duken går i stykker under kjøring, farer markisen plutselig ut. Dette kan føre til alvorlige personskader. Sikre markisen slik at den ikke kan kjøres plutselig og uventet ut under kjøring.
- Markisen må **ikke** åpnes under kjøringen.
- **Ikke** åpne markisen når det er kraftig vind eller snø.
- Kjør inn markisen hvis det er forventet kraftig vind eller regn eller snø.
- Påse at det ikke samler seg vann eller snø på duken. Ellers kan markisen bli skadet, eller markisearmene kan knekke og dermed føre til alvorlige personskader eller også dødsfall.
- Ikke opphold deg i nærheten av markisen
 - hvis den er blitt stående ute i kraftig vind
 - hvis det har dannet seg vanndammer på den
 - hvis det har samlet seg snø på den
 - hvis det er mye grov smuss på markisedukenMarkisen kan bevege seg uventet, bli ustabil og bli bøyd eller knekke.
- Ikke la en utkjørt markise være uten oppsyn. Kjør inn markisen før du forlater oppholdsstedet ditt.
- Grilling med åpen ild må utføres i sikker avstand fra markisen. Duken kan bli ødelagt av varmen, eller den kan ta fyr.
- Dette apparatet kan brukes av barn fra 8 år og oppover, og av personer med nedsatte fysiske, sensoriske eller mentale evner eller manglende erfaring og kunnskap, når de er under oppsikt eller har fått opplæring i sikker bruk av apparatet og hvilke farer som er forbundet med det.
- Barn skal være under tilsyn for å sikre at de ikke leker med apparatet.

**PASS PÅ!**

- Plasser bobilen eller campingvognen slik at det ikke kan komme smuss (greiner, løv eller lignende) på duken.
- Duken på markisen må ikke være slakk langs kantene, men må hele tiden være stram. Hvis duken er slakk, kan den gni borti armene og bli ødelagt.
På lange markiser kan duken henge ned i midten.
- Kjør inn markisen kun når det ikke er smuss på duken (greiner, løv e.l.). I motsatt fall kan markisen bli skadet når den kjøres inn.
- Hold markisen fri for smuss for å hindre slitasjeskader, flekker og muggdannelse.
- En våt markise kan kjøres inn tilstand kun av sikkerhetsmessige årsaker. Kjør den ut igjen så snart som mulig. I motsatt fall kan det danne seg mugg eller flekker, eller fargen kan blekne.
- Bøy aldri en markisearm eller veggen ned for å fjerne vannet på markisen. Dette kan føre til at markisen bøyer seg for mye, slik at funksjonen blir redusert.
- Ikke heng gjenstander på markisen, verken på frontveggen eller på markisearmene.
- Ikke bruk noen form for spray (f. eks. insektspray, hårspray) i nærheten av markisen. Duken blir tilsmusset eller impregneringen kan bli redusert.
- Hvis det ikke er tilstrekkelig klaring over døren etter at markisen er montert, må døren være lukket mens man kjører markisen inn og ut for å unngå at døren kommer i kontakt med armene eller frontlisten.
Nødvendig klaring avhenger av dørens konstruksjonsmåte (dørbredde, sving- eller skyvedør) og av innstilt hellingvinkel på markisen.

3 Leveringsomfang

Antall	Beskrivelse
1	Markise
1	Bruksanvisning
1	Monteringsveiledning

4 Tilbehør

Fås som tilbehør (ikke inkludert i leveransen):

Beskrivelse	Artikkelnummer
Dometic Light LK120 LED-belysning med fjernkontroll for montering på markisearmene	9106504018
Tie Down Kit Remmer for stabilisering av markisen	9103104000

5 Tiltenkt bruk

Markisene PerfectWall PW 1000 og PW 1500 er egnet for montering på bil eller campingvogn.

Markisene må kun benyttes mens kjøretøyet står stille.

6 Teknisk beskrivelse

PerfectWall PW 1000 og PW 1500 er markiser som kjøres ut og inn med en håndseiv. Markisene sikres med støtter på kjøretøyveggen eller på bakken.

7 Betjene markisen

Følg også sikkerhetsreglene i kapittel «Sikkerhetsregler» på side 108!

7.1 Anvisninger om plassering av kjøretøyet



PASS PÅ!

- Plasser kjøretøyet slik at det ikke kan komme smuss (greiner, løv eller lignende) på duken.
- Hold markisen fri for smuss for å hindre slitasjeskader, flekker og muggdannelse.

7.2 Kjøre ut markisen



ADVARSEL! Fare for skade!

Ha tilstrekkelig avstand til gjenstander eller andre kjøretøy. Når markisen er kjørt ut, må det være en minimumsavstand på 40 cm til andre gjenstander eller kjøretøy.

- Sett hånd sveiven inn i festet på markisen (fig. **1**, side 3).
- Drei hånd sveiven til markisen er kjørt ut ca. 1,5 m (fig. **2**, side 3).
- Skyv den høyre støtten i frontveggen helt sammen slik at du kan bevege den fritt (fig. **3**, side 4).
- Drei den høyre støtten til siden (fig. **3**, side 4).
- Vipp den høyre støtten ned og bort og sett den ned på bakken (fig. **4**, side 4).
- Still inn støtten i ønsket høyde (fig. **5**, side 5).
- Vipp hendelen på støtten opp for å sette fast støtten (fig. **6**, side 5).
- Kjør den andre støtten ut på samme måte.
- Drei hånd sveiven til markisen er kjørt ut til ønsket posisjon. Plasser støtten loddrett under frontveggen slik at markisen holdes sikkert på plass.
- Drei hånd sveiven ca. en 1/4 omdreining tilbake, slik at duken strammes.



PASS PÅ! Fare for skade!

Duken på markisen må ikke være slakk langs kantene, men må hele tiden være stram. Hvis duken er slakk, kan den gni borti armene og bli ødelagt.

På lange markiser kan duken henge ned i midten.

- ▶ Ta håndsveiven ut av festet på markisen.

Plassere støttene på bakken



ADVARSEL! Fare for personskader

- Støttene skal kun plasseres på et fast underlag.
- Sikre støttene slik at de ikke kan gli.

- ▶ Plasser støttene loddrett under frontveggen.
- ▶ Sikre støttene med plugger (fig. **7**, side 5).
- ▶ Still inn den ene støtten litt lavere, slik at frontveggen henger litt på skrå. Da kan regnet enklere renne rett av (fig. **8**, side 6).

Feste støttene på kjøretøyet

Du kan feste markisen direkte på kjøretøyet hvis du har montert festene for støttene.

- ▶ Skyv opp dekslet på festet (fig. **9**, side 6).
- ▶ Sett støttene inn i festet (fig. **9**, side 6).
- ▶ Skyv ned dekslet på festet (fig. **9**, side 6).
- ▶ Still inn den ene støtten litt lavere, slik at frontveggen henger litt på skrå. Da kan regnet enklere renne rett av (fig. **10**, side 6).

Montere støttestang

På markiser som er 4 m eller lenger, må det festes en støttestang midt på markisen. Dette hindrer at markisen blir hengende ned på midten.

- ▶ Skyv sammen støttestangen (fig. **11**, side 7).
- ▶ Sett den øverste enden på støttestangen inn i festet på huset (fig. **11**, side 7).
- ▶ Skyv den andre enden på støttestangen inn i festet på frontveggen (fig. **11**, side 7).

7.3 Kjøre inn markisen



PASS PÅ!

- Kjør inn markisen kun når det ikke er smuss på duken (greiner, løv e.l.). I motsatt fall kan markisen bli skadet når den kjøres inn.
- Hold markisen fri for smuss for å hindre slitasjeskader, flekker og muggdannelse.
- Når markisen kjøres inn, må du påse at greiner eller andre gjenstander ikke kommer i klem.

- Fjern smuss (greiner, løv og lignende) som ligger på duken.
- Løsne festene på støttene (plugger eller fester på kjøretøyet).
- Sett den øverste enden på hånd sveiven inn i festet på markisen.
- Drei hånd sveiven til markisen er kjørt ut ca. 1,5 m. Plasser støttene loddrett under frontveggen slik at markisen holdes sikkert på plass.
- Vipp hendelen på den høyre støtten ned for å løsne støtten.
- Skyv støtten helt sammen.
- Vipp den høyre støtten oppover.
- Drei den høyre støtten inn i frontveggen.
- Skyv den nederste delen på høyre støtte inn i festet på frontveggen.
- Kjør inn den andre støtten på samme måte.
- Drei hånd sveiven til markisen er kjørt helt inn.
- Kontroller at markisen er kjørt helt inn før du kjører. Frontveggen må ligge helt inntil kapslingen.
- Ta hånd sveiven ut av festet på markisen.



PASS PÅ! Fare for skade!

Hvis markisen er blitt kjørt inn i våt tilstand, må du kjøre den ut igjen ved neste anledning, slik at duken kan tørke. Hvis den våte duken er rullet inn over lengre tid, vil det danne seg mugg på duken og fargen kan blekne.

8 Rengjøring og stell

8.1 Rengjøring



PASS PÅ! Fare for skade!

- Markisen må **aldri** rengjøres med en høytrykksvasker.
- Bruk ikke slipende vaskemidler eller harde gjenstander til rengjøring, da det kan skade produktet.

- Fjern all smuss (greiner, løv eller lignende) som ligger på duken for å hindre slitasjeskader, flekker og muggdannelse. I tillegg kan markisen bli skadet når den kjøres inn.
- Rengjør duken på markisen regelmessig for å fjerne støv og smuss:
 - Bruk vann med 30 g oppvaskmiddel og 30 g blekemiddel til 10 l vann.
 - Påfør såpe på duken og la rengjøringsvæsken virke i fem minutter.
 - Skyll grundig med rent vann.Påse at rengjøringsvæsken med blekemidlet er blitt skylt helt bort. Ellers kan duken bli skadet.
- La duken tørke.



MERK

Produsenten anbefaler:

- Bruk Dometic Clean&Care markise-rensemiddel til rengjøring av duken (art.nr. 9103501116, tilgjengelig hos din servicepartner).

8.2 Smøring

- Ved behov kan leddene på markisen smøres med en parafinvoks eller teflon- eller silikonolje.

8.3 Kontroller



ADVARSEL!

Ikke bruk markisen når det må utføres innstillinger eller reparasjoner på den.

Hvis du oppdager skader, må du kontakte servicepartneren i respektive land (adresser finner du på baksiden av veiledningen).

- Undersøk markisen regelmessig med tanke på ubalanse og slitasje og skader på kritiske deler.
- Kontrollere markisen regelmessig:
 - Er duken hel?
 - Er armene og frontveggen uten skader og uten tegn til slitasje?
 - Lukker markisen korrekt?

8.4 Trekk til skruene på skulderleddet

Skruene på skulderleddet må trekkes til etter de første belastningene:

- etter den første ferien med bruk av markisen
- etter 20000 km kjøreeffekt eller seks måneder etter montering av markisen (avhengig av hva som inntreffer først)

Dessuten skal skruene på skulderleddet kontrolleres ved den regelmessige kjøretøysinspeksjonen.

Kontakt din servicepartner for stramming av skruene.

Anvisning for service (fig. 12, side 7)



PASS PÅ!

Markisearmene må ikke belastes, slik at skruenes tiltrekkingsmoment ikke blir feil.

- Løft frontlisten litt slik at leddene er uten belastning.
- Trekk til skruene med 15 – 25 Nm.

8.5 Reparere små hull i duken

Små hull i duken eller steder der belegget løsner, kan du reparere selv:

- Bruk en bomullsklut og gni rundt det ødelagte stedet med litt flytende vinylplaster (art.nr. 9103104018, kan kjøpes hos din servicepartner).
- ✓ Det flytende vinylplasteret løsner belegget. Belegget lukker hullet når det tørker.
- Vent til stedet er blitt tørt før du kjører markisen inn igjen.

9 Garanti

Lovmessig garantitid gjelder. Hvis produktet skulle være defekt, kontakter du din faghandler eller produsentens filial i ditt land (du finner adressene på baksiden av veiledningen).

Ved henvendelser vedrørende reparasjon eller garanti, må du sende med følgende dokumentasjon:

- kopi av kvitteringen med kjøpsdato,
- årsak til reklamasjonen eller beskrivelse av feilen.

10 Deponering

► Lever emballasje til resirkulering så langt det er mulig.



Når du tar produktet ut av drift for siste gang, må du sørge for å få informasjon om deponeringsforskrifter hos nærmeste resirkuleringsstasjon eller hos din faghandler.

11 Tekniske data

PerfectWall PW1000					
Bredde:	2,6 m	3 m	3,5 m	4 m	4,5 m
Uttrekk:	2,5 m				
Vekt:	18,6 kg	21 kg	24 kg	27 kg	30 kg

PerfectWall PW1500				
Bredde:	1,5 m	2,6 m	3 m	3,5 m
Uttrekk:	1 m	2 m	2,5 m	2,5 m / 2,75 m
Vekt:	12 kg	18 kg	21 kg	24 kg

PerfectWall PW1500				
Bredde:	4 m	4,5 m	5 m	5,5 m
Uttrekk:	2,5 m / 2,75 m			
Vekt:	27 kg	30 kg	33 kg	36 kg

**VAROITUS!**

- Tämä ohje on luettava ja ymmärrettävä ennen käyttöä, asetusten tekoa, puhdistusta ja huoltoa.
- Tämän laitteen asennus täytyy teettää ammattilaisella. Väärin tehty asennus voi johtaa vakaviin vammoihin. Laitteeseen tehtävät muutokset voivat olla äärimmäisen vaarallisia ja johtaa vakaviin vammoihin tai laitevaurioihin.
- Tätä ohjetta täytyy säilyttää laitteen yhteydessä. Omistajan täytyy lukea se tarkkaavaisesti.

Sisällysluettelo

1	Neuvoja käyttöohjeen käyttämiseen	120
2	Turvallisuusohjeet	120
3	Toimituskokonaisuus	123
4	Lisävarusteet	123
5	Käyttötarkoitus	123
6	Tekninen kuvaus	123
7	Markkiisin käyttö	124
8	Puhdistus ja hoito.	127
9	Tuotevastuu	129
10	Hävittäminen	129
11	Tekniset tiedot	130

1 Neuvoja käyttöohjeen käyttämiseen

**VAROITUS!**

Turvallisuusohje: Huomiotta jättäminen voi aiheuttaa hengenvaaran tai vakavan loukkaantumisen.

**HUOMAUTUS!**

Huomiotta jättäminen voi johtaa materiaali- tai vaurioihin ja haitata tuotteen toimintaa.

► **Menettely:** Tämä symboli ilmaisee, että sinun tulee tehdä jotakin. Tarvittava menettely kuvataan askel askeleelta.

✓ Tämä symboli kuvailee menettelyn tuloksen.

Kuva 1 5, sivulla 3: Tämä tieto viittaa kuvassa olevaan elementtiin, tässä esimerkissä ”kohteeseen 5 kuvassa 1, sivulla 3”.

2 Turvallisuusohjeet

Noudata ajoneuvovalmistajan ja autoalan ammattipiirien antamia turvallisuusohjeita ja vaatimuksia!

Valmistaja ei ota mitään vastuuta vahingoista seuraavissa tapauksissa:

- tuotteeseen mekaanisen vaikutuksen tai ylijännitteiden takia syntyneet vauriot
- tuotteeseen ilman valmistajan nimenomaista lupaa tehdyt muutokset
- käyttö muuhun kuin käyttöohjeessa ilmoitettuun tarkoitukseen

Noudata seuraavia varoitusohjeita:

**VAROITUS!**

- Tarkasta ennen ajoon lähtöä, että markiisi on kokonaan sisässä. Älä liikuttele ajoneuvoa koskaan, kun markiisi on avattuna.
- Älä aja koskaan, kun kampi roikkuu paikallaan. Ota kampi pois ennen kuin lähdet ajoon.

- Älä aja autolla, jos kangas on vahingoittunut tai revennyt, älä edes silloin kun markiisi on suljettu asianmukaisesti! Kangas kannattelee markiisiin varsia. Jos kangas repeää äkkiä ajon aikana, markiisi syöksyy äkillisesti ulos. Tämä voi johtaa vakaviin vammoihin. Varmista markiisi siten, että se ei voi avautua yhtäkkiä ja odottamatta ajon aikana.
- Markiisia ei saa avata ajon aikana.
- Markiisia ei saa avata kovalla tuulella tai lumisateella.
- Sulje markiisi, jos odotettavissa on kovaa tuulta, rankkasadetta tai lumisadetta.
- Huolehdi siitä, että kankaalle ei kerääny vettä tai lunta. Muuten markiisi voi vahingoittua tai markiisin varret voivat katketa ja aiheuttaa siten vammoja tai kuoleman.
- Älä lähesty markiisia,
 - jos se on jätetty auki kovalla tuulella,
 - jos sen päälle on muodostunut vesilätäköitä,
 - jos sen päälle on kertynyt lunta,
 - jos markiisikankaalla on paljon karkeaa likaa.Markiisi voi odottamatta liikkua, muuttua epävakaaaksi, taipua tai murtua.
- Älä jätä avattua markiisia vaille valvontaa. Sulje markiisi ennen kuin poistut paikalta.
- Pidä avotulella grillatessasi riittävä etäisyys markiisiin. Kuumuus voi vahingoittaa kangasta tai sytyttää sen palamaan.
- Tätä laitetta voivat käyttää valvonnan alaisuudessa myös vähintään 8-vuotiaat lapset samoin kuin henkilöt, joiden fyysiset, aistinvaraiset tai henkiset valmiudet ovat rajoittuneet tai joilta puuttuu käytön vaatima kokemus tai tietämys. Tämä koskee myös tilannetta, jossa edellä mainitut henkilöt ovat saaneet laitteen turvallista käyttöä koskevan perehdytyksen ja jotka tämän perusteella ymmärtävät laitteen käytöstä aiheutuvat vaarat.
- Lapsia tulee valvoa sen varmistamiseksi, etteivät he leiki laitteella.

**HUOMAUTUS!**

- Sijoita matkailuauto tai asuntovaunu siten, ettei kankaalle pääse likaa (oksia, lehtiä tms.).
- Markkiisin kangas ei saa roikkua reunoilta, vaan sen pitää olla aina kireällä. Jos kangas roikkuu, se voi hangata varsiin ja vahingoittaa.
Jos kyseessä on pitkä markiisi, sen kangas saa roikkua keskeltä.
- Sulje markiisi vain, jos kankaan päällä ei ole likaa (oksia, lehtiä tms.). Muutoin markiisi voi vaurioitua suljettaessa.
- Pidä markiisi puhtaana liasta hankautumien, tahrojen ja homeen välttämiseksi.
- Markkiisin saa sulkea märkänä vain turvallisuusyistä. Avaa se jälleen niin pian kuin mahdollista. Muuten voi muodostua hometta tai tahroja, tai väri voi haalistua.
- Älä koskaan taivuta markiisin varsia tai lippaa alas päästääkseen vettä pois markiisin päältä. Se voi aiheuttaa markiisin vääntymisen ja haitata sen toimintaa.
- Älä ripusta mitään esineitä markiisiin, älä etulippaan äläkä markiisiin varsiin.
- Älä käytä mitään suihkeita (esim. hyönteiskarkote, hiussuihke) markiisin lähellä. Se saa kankaan likaantumaan ja kankaan vettä hylkivä ominaisuus voi kadota niiden takia.
- Jos oven yläpuolelle ei jää markiisin kiinnittämisen jälkeen riittävästi vapaata tilaa, ovi täytyy pitää kiinni avaamisen tai sulkemisen aikana, jotta ovi ei osu varsiin tai etulistaan. Vapaan tilan tarve riippuu oven rakenteesta (oven leveys, kääntö- tai liukuovi) sekä markiisin säädetyistä kallistuskulmista.

3 Toimituskokonaisuus

Määrä	Nimitys
1	Markiisi
1	Käyttöohje
1	Asennusohje

4 Lisävarusteet

Saatavissa lisävarusteena (ei sisälly toimituskokonaisuuteen):

Nimitys	Tuotenumero
Dometic Light LK120 LED-valaisin ja kaukosäädin asennettavaksi markiisiin varsiin	9106504018
Tie Down Kit Markiisiin kiinnityshihnat	9103104000

5 Käyttötarkoitus

Markiisit PerfectWall PW1000 ja PW1500 soveltuvat asennettaviksi matkailuautoihin ja asuntovaunuihin.

Markiiseja saa käyttää ainoastaan ajoneuvon seistessä.

6 Tekninen kuvaus

PerfectWall PW1000 ja PW1500 ovat markiiseja, jotka voidaan avata ja sulkea käsikammen avulla. Markiisit tuetaan tukijalkojen avulla ajoneuvon seinään tai maahan.

7 Markiisin käyttö

Noudata myös turvallisuusohjeita: kap. ”Turvallisuusohjeet” sivulla 120!

7.1 Ajoneuvon paikkaa koskevia ohjeita



HUOMAUTUS!

- Sijoita ajoneuvo siten, ettei kankaan päälle pääse likaa (oksia, lehtiä tms.).
- Pidä markiisi puhtaana liasta hankautumien, tahrojen ja homeen välttämiseksi.

7.2 Markiisin avaaminen



VAROITUS! Loukkaantumisvaara!

Pidä riittävä etäisyys esineisiin ja muihin ajoneuvoihin. Avaamisen jälkeen joka puolella pitää olla vähintään 40 cm väliä muihin esineisiin ja ajoneuvoihin.

- Loksauta käsikampi markiisin kammenniinnityskohtaan (kuva **1**, sivulla 3).
- Kierrä käsikampea, kunnes markiisi on avautunut n. 1,5 metrin verran (kuva **2**, sivulla 3).
- Työnnä etulipassa oleva oikea tukijalka kokonaan yhteen niin, että voit liikuttaa sitä vapaasti (kuva **3**, sivulla 4).
- Käännä oikea tukijalka sivulle (kuva **3**, sivulla 4).
- Käännä oikea tukijalka alas ja sijoita se maahan (kuva **4**, sivulla 4).
- Säädä tukijalan korkeus haluamaksesi (kuva **5**, sivulla 5).
- Lukitse tukijalka kääntämällä sen vipu ylös (kuva **6**, sivulla 5).
- Avaa toinen tukijalka samalla tavalla.
- Kierrä käsikampea, kunnes markiisi on avattu haluttuun asentoon. Aseta tukijalka säännöllisesti pystysuoraan etulipan alapuolelle siten, että markiisi on aina turvallisesti tuettu.
- Kierrä käsikampea takaisin n. 1/4 kierros, jotta kangas kiristyy.

**HUOMAUTUS! Vaurioitumisvaara!**

Markiisin kangas ei saa roikkua reunoilta, vaan sen pitää olla aina kireällä. Jos kangas roikkuu, se voi hangata varsiin ja vahingoittaa.

Jos kyseessä on pitkä markiisi, sen kangas saa roikkua keskeltä.

- ▶ Irrota käsikampi markiisin kammekiinnityskohdasta.

Tukijalan pystyttäminen maahan**VAROITUS! Loukkaantumisvaara**

- Pystytä tukijalka vain kiinteälle alustalle.
- Varmista tukijalka siten, ettei se pääse luiskahtamaan paikaltaan.

- ▶ Pystytä tukijalka pystysuoraan etulipan alapuolelle.
- ▶ Varmista tukijalka kiiloin (kuva **7**, sivulla 5).
- ▶ Säädä toinen tukijaloista hieman matalammaksi, jotta etulippa on hieman vinossa. Näin kevyt sade pääsee valumaan helposti pois (kuva **8**, sivulla 6).

Tukijalan kiinnittäminen ajoneuvoon

Voit kiinnittää markiisin suoraan ajoneuvoon, jos olet asentanut kiinnikkeet tukijalkoja varten.

- ▶ Työnnä kiinnikkeen suojusta ylös (kuva **9**, sivulla 6).
- ▶ Aseta tukijalka kiinnikkeeseen (kuva **9**, sivulla 6).
- ▶ Työnnä kiinnikkeen suojusta alas (kuva **9**, sivulla 6).
- ▶ Säädä toinen tukijaloista hieman matalammaksi, jotta etulippa on hieman vinossa. Näin kevyt sade pääsee valumaan helposti pois (kuva **10**, sivulla 6).

Kiristystangon asentaminen

Jos markiisin pituus on 4 m tai enemmän, markiisin keskelle täytyy kiinnittää kiristystanko. Näin estetään markiisia roikkumasta keskeltä.

- Työnnä kiristystanko yhteen (kuva **11**, sivulla 7)
- Loksauta kiristystangon yläpää kotelossa olevaan kiinnikkeeseen (kuva **11**, sivulla 7).
- Työnnä kiristystangon toinen pää etulipassa olevaan kiinnikkeeseen (kuva **11**, sivulla 7).

7.3 Markiisin sulkeminen



HUOMAUTUS!

- Sulje markiisi vain, jos kankaan päällä ei ole likaa (oksia, lehtiä tms.). Muutoin markiisi voi vaurioitua sitä suljettaessa.
- Pidä markiisi puhtaana liasta hankautumien, tahrojen ja homeen välttämiseksi.
- Huolehdi markiisia sulkieessasi siitä, että oksia tai muita esineitä ei jää väliin.

- Poista lika (oksat, lehdet tai vastaavat), joka on kankaan päällä.
- Vapauta tukijalkojen kiinnitys (kiilat tai ajoneuvossa olevat kiinnikkeet).
- Loksauta käsikammen yläpää markiisissa olevaan kiinnityskohtaan.
- Kierrä käsikampea, kunnes markiisi on enää n. 1,5 metrin verran auki. Aseta tukijalat säännöllisesti pystysuoraan etulipan alapuolelle siten, että markiisi on aina turvallisesti tuettu.
- Vapauta oikea tukijalka kääntämällä sen vipu alas.
- Työnnä tukijalka kokonaan yhteen.
- Käännä oikea tukijalka ylös.
- Käännä oikea tukijalka etulippaan.
- Työnnä oikean tukijalan alaosa etulipassa olevaan kiinnikkeeseen.
- Sulje toinen tukijalka samalla tavalla.
- Kierrä käsikampea, kunnes markiisi on kokonaan kiinni.
- Vakuuttaudu siitä, että markiisi on kokonaan kiinni, ennen kuin lähdet ajoon. Etulipan täytyy olla tiiviisti kiinni rungossa.

- Irrota käsikampi markiisiin kammenkiinnityskohdasta.



HUOMAUTUS! Vaurioitumisvaara!

Jos markiisi on suljettu märkänä, avaa sen heti mahdollisuuden tullen uudelleen, jotta kangas pääsee kuivumaan. Jos märkä kangas pidetään pitkään rullattuna, se muuttuu tunkkaiseksi ja värit voivat haalistua.

8 Puhdistus ja hoito

8.1 Puhdistus



HUOMAUTUS! Vaurioitumisvaara!

- Markiisia **ei saa koskaan** puhdistaa painepesurilla.
- Älä käytä puhdistukseen kovia puhdistusaineita tai kovia esineitä, koska ne voivat vahingoittaa tuotetta.

- Poista kaikki kankaalla oleva lika (oksat, lehdet tms.) hankaumien, tahrojen ja homeen välttämiseksi. Markiisi voisi sitä paitsi vaurioitua suljettaessa.
- Puhdista markiisin kangas säännöllisesti pölyn ja lian poistamiseksi:
 - Käytä tähän vettä, jossa on 30 g pesuainetta ja 30 g valkaisuainetta per 10 l vettä.
 - Kastele kangas tällä liuoksella ja anna puhdistusnesteen vaikuttaa viisi minuuttia.
 - Huuhtelee perusteellisesti puhtaalla vedellä. Varmista, että puhdistusneste valkaisuaineineen pestään kokonaan pois. Muussa tapauksessa kangas voi vaurioitua.
 - Anna kankaan kuivua.



OHJE

Valmistaja suosittelee:

- Käytä kankaan puhdistukseen Dometic Clean&Care -markiisin puhdistusainetta (tuotenro. 9103501116, saatavilla huoltokumppaniltasi).

8.2 Voitelu

- Voitele markiisin nivelet tarvittaessa parafiinivahalla, teflon- tai silikoniöljyllä.

8.3 Tarkastus

**VAROITUS!**

Älä käytä markiisia, jos on tehtävä säätö- tai korjaustoimia. Jos havaitset vaurioita, käänny oman maasi huoltoliikkeen puoleen (Osoitteet ohjeen takapuolella).

- Tutki markiisi säännöllisesti epätasapainon ja kulumien sekä kriittisten osien vaurioiden varalta.
- Tarkasta markiisi säännöllisesti:
 - Onko kangas vaurioitunut?
 - Ovatko varret ja etulippa vahingoittumattomia ja vailla kulumisjälkiä?
 - Meneekö markiisi kunnolla kiinni?

8.4 Kiristä olkanivelten ruuvit

Olkanivelen ruuvit täytyy kiristää ensimmäisten kuormitusten jälkeen:

- ensimmäisen markiisia käyttäen vietetyn loman jälkeen
- 20000 km ajon jälkeen tai kuuden kuukauden kuluttua markiisiin asentamisesta (sen mukaan, kumpi saavutetaan ensin)

Lisäksi olkanivelen ruuvit tulisi tarkastaa ajoneuvon säännöllisten tarkastusten yhteydessä

Käänny sopimushuoltosi puoleen ruuvien kiristämistä varten.

Ohjeita huoltoa varten (kuva 12, sivulla 7)

**HUOMAUTUS!**

Markiisin varsien täytyy olla kuormittamattomia, jotta ruuvien kiristysmomentti ei vääristy.

- Nosta etulistaa kevyesti nivelten kuormituksen poistamiseksi.
- Kiristä ruuveja kiristysmomenttiin 15 – 25 Nm.

8.5 Kankaan pienten reikien paikkaaminen

Voit itse paikata kankaan pieniä reikiä tai kohtia, joissa pinnoite irtoaa:

- ▶ Hankaa vahingoittuneen kohdan ympärille puuvillaliinalla hieman nestemäistä vinyylikalvoa (Tuotenro 9103104018, saatavissa huoltoliikkeestäsi).
- ✓ Nestemäinen vinyylikalvo pehmittää pinnoitteen. Pinnoite sulkee reiän kuivuuksaan.
- ▶ Odota ennen markiisin sulkemista, että kohta on kuivunut.

9 Tuotevastuu

Laitetta koskee lakisääteinen takuu-aika. Jos tuote sattuu olemaan viallinen, käänny oman ammattikauppiasi tai maasi valmistajan toimipisteen puoleen (osoitteet käyttöohjeen takasivulla).

Korjaus- ja takuukäsittelyä varten lähetä mukana seuraavat asiakirjat:

- kopio ostolaskusta, jossa näkyy ostopäivä,
- valitusperuste tai vikakuvaus.

10 Hävittäminen

- ▶ Vie pakkausmateriaali mahdollisuuksien mukaan vastaavan kierrätysjätteen joukkoon.



Jos poistat tuotteen lopullisesti käytöstä, pyydä tietoa sen hävittämisestä koskevista määräyksistä lähimmästä kierrätyskeskuksesta tai ammattiliikkeestäsi.

11 Tekniset tiedot

	PerfectWall PW1000				
Leveys:	2,6 m	3 m	3,5 m	4 m	4,5 m
Avautuma:	2,5 m				
Paino:	18,6 kg	21 kg	24 kg	27 kg	30 kg

	PerfectWall PW1500			
Leveys:	1,5 m	2,6 m	3 m	3,5 m
Avautuma:	1 m	2 m	2,5 m	2,5 m / 2,75 m
Paino:	12 kg	18 kg	21 kg	24 kg

	PerfectWall PW1500			
Leveys:	4 m	4,5 m	5 m	5,5 m
Avautuma:	2,5 m / 2,75 m			
Paino:	27 kg	30 kg	33 kg	36 kg

**AVISO!**

- Antes de utilizar, instalar, limpar ou manter o produto deve ler o manual e compreender o seu conteúdo.
- Este produto tem de ser instalado por um técnico qualificado. Uma instalação incorreta pode provocar ferimentos graves. As modificações no produto podem ser extremamente perigosas e provocar ferimentos ou danos graves no produto.
- Este manual deve ser guardado próximo do produto. O utilizador deve lê-lo atentamente.

Índice

1	Indicações sobre a utilização do manual	132
2	Indicações de segurança	132
3	Material fornecido	135
4	Acessórios	135
5	Utilização adequada	135
6	Descrição técnica.	135
7	Acionar o toldo.	136
8	Limpeza e manutenção	139
9	Garantia	141
10	Eliminação	142
11	Dados técnicos	142

1 Indicações sobre a utilização do manual

**AVISO!**

Indicação de segurança: o incumprimento pode provocar a morte ou ferimentos graves.

**NOTA!**

O incumprimento pode causar danos materiais e pode prejudicar o funcionamento do produto.

► **Ação:** este símbolo indica que há uma acção a realizar. As acções necessárias são descritas passo a passo.

✓ Este símbolo descreve o resultado de uma acção.

Fig. 1 5, página 3: esta informação refere-se a um elemento presente na figura, neste exemplo para a “posição 5 na figura 1 da página 3”.

2 Indicações de segurança

Cumpra as indicações de segurança e o especificado na literatura do fabricante automóvel e das associações profissionais do setor!

O fabricante não se responsabiliza por danos nos seguintes casos:

- Danos no produto resultantes de influências mecânicas e sobretensões
- Alterações ao produto sem autorização expressa do fabricante
- Utilização para outras finalidades que não as descritas no manual de instruções

Preste atenção às seguintes advertências:

**AVISO!**

- Antes de iniciar a marcha, verifique se o toldo está totalmente recolhido. Nunca desloque o veículo com o toldo aberto.
- Nunca conduza o veículo com a manivela suspensa. Antes de iniciar a marcha, retire a manivela.

- Não conduza o veículo com a lona danificada ou rasgada, nem mesmo com o toldo devidamente fechado! Os braços do toldo são suportados pela lona. Se a lona rasgar durante a viagem, o toldo solta-se repentinamente. Isto pode provocar ferimentos graves. Fixe o toldo de modo a impedir que o mesmo se abra repentina e inesperadamente durante a marcha.
- **Não** abra o toldo durante a marcha.
- **Não** abra o toldo na presença de ventos fortes ou de queda de neve.
- Recolha o toldo na presença de ventos fortes, chuva forte ou queda de neve.
- Tenha atenção para que não haja acumulação de água ou de neve na lona. Caso contrário, o toldo pode ser danificado ou os braços podem partir, provocando assim ferimentos graves ou a morte.
- Não se aproxime do toldo
 - se o mesmo tiver ficado exposto, aberto, a ventos fortes,
 - se se tiverem formado poças de água sobre o mesmo,
 - se existir acumulação de neve sobre o mesmo,
 - se existir muita sujidade sobre o a lona do toldo.O toldo pode mover-se inesperadamente, tornar-se instável e dobrar ou partir-se.
- Nunca deixe o toldo aberto sem supervisão. Recolha o toldo antes de prosseguir viagem.
- Enquanto estiver a preparar grelhados com chamas vivas, mantenha-se afastado do toldo. A lona pode ser danificada devido ao calor e até mesmo incendiar.
- Este produto pode ser utilizado por crianças a partir dos 8 anos, assim como por pessoas com capacidades físicas, sensoriais ou mentais reduzidas ou com insuficiente experiência e conhecimento, quando supervisionadas ou quando tenham recebido informação acerca da utilização segura do mesmo e compreendam os perigos dele resultantes.
- As crianças devem ser supervisionadas para assegurar que não brincam com o produto.

**NOTA!**

- Estacione a caravana ou a autocaravana de modo a evitar a acumulação de sujidade (ramos, folhas ou afins) sobre a lona.
- A lona do toldo deve estar sempre bem esticada, sobretudo nas extremidades. Se a lona não estiver bem esticada, pode roçar nos braços do toldo e ficar danificada.
Nos toldos compridos, a lona não deve ceder ao centro.
- Recolha o toldo apenas quando este não apresenta sujidade (ramos, folhas ou afins) sobre a lona. Caso contrário, o toldo poderá ficar danificado durante a recolha.
- Mantenha o toldo livre de sujidade para evitar riscos, manchas e bolor.
- Recolha o toldo molhado apenas se justificado por motivos de segurança. Volte a abri-lo o mais rapidamente possível. Caso contrário, poderá haver formação de bolor ou manchas ou a cor poderá desbotar.
- Nunca dobre o braço do toldo ou o friso para baixo para escoar a água do toldo. Deste modo, o toldo pode dobrar e limitar a sua funcionalidade.
- Não pendure objetos no toldo, no friso frontal nem nos braços do toldo.
- Não utilize spray (p.ex. spray repelente de insetos, laca para o cabelo) na proximidade do toldo. A lona fica suja ou pode perder a sua impermeabilidade.
- Se, após a montagem do toldo, não houver espaço livre suficiente por cima da porta, esta tem de ficar fechada durante o avanço ou o recuo do toldo, para evitar um contacto da porta com os braços ou o friso dianteiro.
O espaço livre necessário depende do tipo de construção da porta (largura da porta, porta basculante ou deslizante) assim como do ângulo de inclinação definido para o toldo.

3 Material fornecido

Quantidade	Designação
1	Toldo
1	Manual de instruções
1	Instruções de montagem

4 Acessórios

Disponível como acessório (não incluído no material fornecido):

Designação	Número de artigo
Dometic Light LK120 Iluminação LED com controlo remoto para a montagem nos braços do toldo	9106504018
Tie Down Kit Cintas para esticar o toldo	9103104000

5 Utilização adequada

Os toldos PerfectWall PW 1000 e PW 1500 são adequados para a montagem em caravanas ou autocaravanas.

Os toldos apenas podem ser utilizados com o veículo imobilizado.

6 Descrição técnica

Os toldos PerfectWall PW 1000 e PW 1500 são toldos que podem ser abertos e fechados com uma manivela manual. Os toldos são fixados na parede do veículo ou no solo, mediante utilização de apoios.

7 Acionar o toldo

Respeite também as indicações de segurança que constam do capítulo “Indicações de segurança” na página 132!

7.1 Indicações sobre a localização do veículo

**NOTA!**

- Estacione o veículo de modo a evitar a acumulação de sujidade (ramos, folhas ou afins) sobre a lona.
- Mantenha o toldo livre de sujidade para evitar riscos, manchas e bolor.

7.2 Abrir o toldo

**AVISO! Perigo de ferimentos!**

Mantenha uma distância suficiente em relação a objetos ou a outros veículos. Após o avanço é preciso manter uma distância mínima de 40 cm em relação a outros objetos ou veículos.

- Engrene a manivela manual na recepção do toldo (fig. **1**, página 3).
- Rode a manivela manual e avance o toldo cerca de 1,5 m (fig. **2**, página 3).
- Una totalmente e com cuidado o apoio direito no friso frontal, de modo a poder movê-lo livremente (fig. **3**, página 4).
- Rode o apoio direito para o lado (fig. **3**, página 4).
- Retire o apoio direito, dobrando-o para baixo e apoiando-o no solo (fig. **4**, página 4).
- Regule o apoio à altura pretendida (fig. **5**, página 5).
- Dobre a manivela do apoio para cima para fixar o apoio (fig. **6**, página 5).
- Faça o mesmo com o outro apoio.
- Rode a manivela manual até o toldo ficar colocado na posição pretendida. Coloque os apoios sempre numa posição vertical debaixo do friso frontal de modo a que o toldo esteja sempre seguro.
- Rode a manivela manual aprox. 1/4 de volta para trás para esticar a lona.

**NOTA! Perigo de danos!**

A lona do toldo deve estar sempre bem esticada, sobretudo nas extremidades. Se a lona não estiver bem esticada, pode roçar nos braços do toldo e ficar danificada.

Nos toldos compridos, a lona não deve ceder ao centro.

- ▶ Retire a manivela manual da receção do toldo.

Colocar os apoios no solo**AVISO! Perigo de ferimentos**

- Coloque os apoios exclusivamente sobre uma superfície sólida.
- Fixe a posição dos apoios.

- ▶ Coloque os apoios na vertical sob o friso frontal.
- ▶ Fixe os apoios com estacas (fig. **7**, página 5).
- ▶ Regule um dos apoios para uma posição ligeiramente mais baixo para que o friso frontal fique ligeiramente inclinado. A chuva ligeira pode ser escoada diretamente (fig. **8**, página 6).

Fixar os apoios no veículo

Poderá fixar o toldo diretamente no seu veículo se tiver montadas as receções dos apoios.

- ▶ Empurre a cobertura das receções para cima (fig. **9**, página 6).
- ▶ Prenda os apoios nas receções (fig. **9**, página 6).
- ▶ Empurre a cobertura das receções para baixo (fig. **9**, página 6).
- ▶ Regule um dos apoios para uma posição ligeiramente mais baixo para que o friso frontal fique ligeiramente inclinado. A chuva ligeira pode ser escoada diretamente (fig. **10**, página 6).

Montar a barra de fixação

Nos toldos com um comprimento de 4 m ou superior é necessário fixar a barra de fixação ao centro do toldo. Deste modo evita-se que o toldo ceda.

- Comprima a barra de fixação (fig. 11, página 7).
- Engrene a extremidade superior da barra de fixação no dispositivo de retenção no corpo (fig. 11, página 7).
- Insira a outra extremidade da barra de fixação no dispositivo de retenção no friso frontal (fig. 11, página 7).

7.3 Recolher o toldo



NOTA!

- Recolha o toldo apenas quando este não apresenta sujidade (ramos, folhas ou afins) sobre a lona. Caso contrário, o toldo poderá ficar danificado durante a recolha.
- Mantenha o toldo livre de sujidade para evitar riscos, manchas e bolor.
- Preste atenção para que durante a recolha do toldo não fiquem presos ramos ou outros objetos.

- Remova a sujidade (ramos, folhas ou afins) que se encontra sobre a lona.
- Solte a fixação dos apoios (estacas ou receções no veículo).
- Engrene a extremidade superior da manivela manual na recepção do toldo.
- Rode a manivela manual e avance o toldo cerca de 1,5 m. Coloque os apoios sempre numa posição vertical debaixo do friso frontal de modo a que o toldo esteja sempre seguro.
- Dobre a manivela do apoio direito para baixo para soltar o apoio.
- Comprima totalmente o apoio.
- Dobre o apoio direito para cima.
- Rode o apoio direito para dentro do friso frontal.
- Empurre a parte inferior do apoio direito para dentro da receção do friso frontal.
- Recolha o outro apoio da mesma forma.
- Rode a manivela manual até o toldo estar totalmente recolhido.

- ▶ Certifique-se de que o toldo está totalmente recolhido antes de iniciar a viagem. O friso frontal tem de estar bem encostado ao corpo.
- ▶ Retire a manivela manual da recepção do toldo.

**NOTA! Perigo de danos!**

Se o toldo tiver sido recolhido molhado, volte a avançá-lo assim que possível e deixe secar a lona. Se a lona molhada permanecer enrolada durante um período de tempo mais prolongado, a lona pode ficar com bolor e as cores podem desbotar.

8 Limpeza e manutenção

8.1 Limpar

**NOTA! Perigo de danos!**

- **Nunca** limpe o toldo com um aparelho de limpeza de alta pressão.
- Não utilize produtos de limpeza abrasivos ou objetos duros para a limpeza, uma vez que podem danificar o produto.

- ▶ Remova toda a sujidade (ramos, folhas ou afins) da lona para evitar riscos, manchas e bolor. Além disso, o toldo pode ser danificado se for recolhido.
- ▶ Limpe regularmente a lona do toldo para remover a pó e sujidade:
 - Para tal, utilize água com 30 g de agente de limpeza e 30 g de agente de branqueamento em 10 litros de água.
 - Ensaboe a lona com este líquido de limpeza e deixe atuar durante cinco minutos.
 - Depois, lave bem a lona com água limpa.
Certifique-se de que o líquido de limpeza com o agente de branqueamento é totalmente lavado. Caso contrário, a lona pode ser danificada.
 - Deixe a lona secar.

**OBSERVAÇÃO**

O fabricante recomenda:

- utilize o agente de limpeza para toldos Dometic Clean&Care (n.º art. 9103501116, disponível junto da sua assistência técnica) para limpar o pano.

8.2 Lubrificar

- ▶ Se necessário, lubrifique as articulações do toldo com uma cera de parafina, óleo de teflon ou de silicone.

8.3 Controlar



AVISO!

Não utilize o toldo se for necessário efetuar ajustes ou reparações.

Se detetar danos, por favor, entre em contacto com a assistência técnica no seu país (endereços, ver verso do manual).

- ▶ Verifique regularmente o toldo quanto a desequilíbrios e desgaste, assim como danos em peças críticas.
- ▶ Controle regularmente o toldo:
 - A lona está danificada?
 - Os braços do friso frontal estão danificados e/ou existem vestígios de desgaste?
 - O toldo fecha corretamente?

8.4 Reapertar os parafusos da articulação

É necessário reapertar os parafusos da articulação após aplicação das primeiras cargas:

- após as primeiras férias com utilização do toldo
- após 20000 km ou seis meses após montagem do toldo (o que ocorrer primeiro)

Além disso, é necessário controlar os parafusos da articulação nas inspeções periódicas do veículo.

Para o reaperto dos parafusos, consultar a assistência técnica.

Indicações para a assistência técnica (fig. 12, página 7)**NOTA!**

Os braços do toldo devem estar livres de carga, para que o binário de aperto dos parafusos não seja deturpado.

- ▶ Eleve ligeiramente o friso dianteiro para que as articulações fiquem livres de carga.
- ▶ Reaperte os parafusos com 15 – 25 Nm.

8.5 Remendar pequenos furos na lona

Pode remendar pequenos furos na lona ou pequenas partes nas quais o revestimento se solta:

- ▶ Aplique um pouco de adesivo de vinil líquido (N.º art. 9103104018, disponível junto do seu parceiro de assistência técnica) sobre um pano de algodão e esfregue em volta do local danificado.
- ✓ O adesivo de vinil líquido dissolve o revestimento. A secagem tapa o furo.
- ▶ Aguarde que esta zona seque antes de voltar a recolher o toldo.

9 Garantia

É válido o prazo de garantia legal. Se o produto estiver com defeito, por favor, dirija-se ao seu revendedor ou à representação do fabricante no seu país (endereços, ver verso do manual).

Para fins de reparação ou de garantia, terá de enviar os seguintes documentos em conjunto:

- uma cópia da factura com a data de aquisição,
- um motivo de reclamação ou uma descrição da falha.

10 Eliminação

- Sempre que possível, coloque o material de embalagem no respectivo contentor de reciclagem.



Para colocar o aparelho definitivamente fora de funcionamento, por favor, informe-se junto do centro de reciclagem mais próximo ou revendedor sobre as disposições de eliminação aplicáveis.

11 Dados técnicos

PerfectWall PW1000					
Largura:	2,6 m	3 m	3,5 m	4 m	4,5 m
Avanço:	2,5 m				
Peso:	18,6 kg	21 kg	24 kg	27 kg	30 kg

PerfectWall PW1500				
Largura:	1,5 m	2,6 m	3 m	3,5 m
Avanço:	1 m	2 m	2,5 m	2,5 m / 2,75 m
Peso:	12 kg	18 kg	21 kg	24 kg

PerfectWall PW1500				
Largura:	4 m	4,5 m	5 m	5,5 m
Avanço:	2,5 m / 2,75 m			
Peso:	27 kg	30 kg	33 kg	36 kg

**ПРЕДУПРЕЖДЕНИЕ!**

- Данную инструкцию необходимо прочесть и понять перед использованием, наладкой, очисткой и техническим обслуживанием.
- Данное устройство должно быть установлено специалистом. Ненадлежащий монтаж может приводить к тяжелым травмам. Переделки устройства могут быть очень опасными и приводить к тяжелым травмам или повреждениям устройства.
- Данная инструкция должна оставаться вместе с устройством. Владелец должен внимательно прочесть ее.

Оглавление

1	Указания по пользованию инструкцией	144
2	Указания по технике безопасности.	144
3	Комплект поставки	147
4	Аксессуары	147
5	Использование по назначению	147
6	Техническое описание	147
7	Управление маркизой	148
8	Очистка и уход	152
9	Гарантия	154
10	Утилизация	154
11	Технические данные	155

1 Указания по пользованию инструкцией

**ПРЕДУПРЕЖДЕНИЕ!**

Указания по технике безопасности: Несоблюдение может привести к смертельному исходу или тяжелым травмам.

**ВНИМАНИЕ!**

Несоблюдение может привести к повреждениям и нарушить работу продукта.

► **Действие:** Этот символ указывает на то, что Вы должны выполнить определенное действие. Требуемые действия описываются шаг за шагом.

✓ Этот символ описывает результат действия.

Рис. 1 5, стр. 3: Данное указание обращает Ваше внимание на рисунок, в данном примере на «позицию 5 на рисунке 1 на странице 3».

2 Указания по технике безопасности

Соблюдайте правила техники безопасности и требования, предписанные изготовителем автомобиля, а также автомастерской!

Изготовитель не несет никакой ответственности за ущерб в следующих случаях:

- Повреждения продукта из-за механических воздействий и перенапряжений
- Изменения в продукте, выполненные без однозначного разрешения изготовителя
- Использование в целях, отличных от указанных в данной инструкции

Соблюдайте следующие предупреждения:

**ПРЕДУПРЕЖДЕНИЕ!**

- Перед началом движения убедитесь в том, что маркиза полностью убрана. Не перемещайте автомобиль при открытой маркизе.

- Не двигайтесь с установленной рукояткой. Перед началом движения снимите рукоятку.
- Не начинайте движение, если полотно повреждено или надорвано, даже если маркиза должным образом закрыта! Рычаги маркизы удерживаются полотном. Если полотно разорвется во время движения, то маркиза резко вырывается наружу. Это может приводить к тяжелым травмам. Закрепите маркизу так, чтобы она не могла внезапно и неожиданно выдвигаться во время движения.
- **Не** раскрывайте маркизу во время движения.
- **Не** раскрывайте маркизу при сильном ветре или снегопаде.
- Убирайте маркизу, если ожидается сильный ветер, дождь или снегопад.
- Следите за тем, чтобы на полотне не собиралась вода или снег. В противном случае маркиза может быть повреждена или могут быть обломаны рычаги, что, в свою очередь, может привести к тяжелым травмам или смерти.
- Не приближайтесь к маркизе,
 - если она была оставлена открытой во время сильного ветра,
 - если на ней образовались скопления воды,
 - если на ней скопился снег,
 - если на полотне находится много грязи.Маркиза может неожиданно переместиться, стать неустойчивой и деформироваться или оборваться.
- Не оставляйте выдвинутую маркизу без присмотра. Перед покиданием места стоянки уберите маркизу.
- Не устанавливайте мангалы с открытым огнем вблизи маркизы. Полотно может быть повреждено вследствие высокой температуры или загореться.
- Это устройство может использоваться детьми с 8-ми лет и старше, а также лицами с ограниченными физическими, сенсорными и умственными способностями или при недостатке необходимого опыта и знаний только под присмотром или после прохождения инструктажа по безопасному использованию устройства, если они понимают опасности, которые при этом могут возникнуть.
- За детьми необходимо постоянно следить, чтобы не допускать их игры с устройством.

**ВНИМАНИЕ!**

- Располагайте кемперы или жилые прицепы так, чтобы на полотно не могла попасть грязь (ветки, листья и т. п.).
- Полотно маркизы не должно провисать по краям, а всегда должно быть натянуто. Если полотно провисает, то оно может тереться о рычаги и получить повреждения. В длинных маркизах полотно может слегка провисать в центре.
- Убирайте маркизу только в том случае, если на полотне отсутствует грязь (ветки, листья и т. п.). В противном случае при втягивании маркизы может быть повреждена.
- Не допускайте загрязнений маркизы, чтобы предотвратить истирание, пятна и плесень.
- Закрывайте маркизу во влажном состоянии только в целях обеспечения безопасности. Как можно быстрее выдвиньте ее снова. В противном случае могут образовываться пятна или плесень или терять свой цвет полотно.
- Не изгибайте рычаг маркизы или панель, чтобы слить воду с маркизы. Вследствие этого маркиза может деформироваться, что окажет отрицательное влияние на ее работу.
- Не подвешивайте никаких предметов к маркизе - ни к лицевой панели, ни к рычагам.
- Не пользуйтесь аэрозолями (например, инсектицидами, лаком для волос) вблизи маркизы. Вследствие этого полотно может быть загрязнено, либо исчезнуть эффект водоотталкивания.
- Если после монтажа маркизы не остается достаточного свободного пространства над дверью, то во время втягивания или выдвигания дверь должна оставаться открытой, чтобы избежать контакта с рычагами или лицевой планкой.
Требуемое свободное пространство зависит от конструкции двери (ширина, поворотная или раздвижная дверь), а также от настроенного угла наклона маркизы.

3 Комплект поставки

Количество	Наименование
1	Маркиза
1	Инструкция по эксплуатации
1	Инструкция по монтажу

4 Аксессуары

Продается в качестве аксессуара (не входит в комплект поставки):

Наименование	Артикульный номер
Dometic Light LK120	9106504018
Светодиодная подсветка с дистанционным управлением для монтажа на рычагах шторки	
Tie Down Kit	9103104000
Ремни для натяжения маркизы	

5 Использование по назначению

Маркизы PerfectWall PW 1000 и PW 1500 пригодны для установки на кемперы или жилые прицепы.

Использование маркиз допускается только в неподвижном состоянии автомобиля.

6 Техническое описание

PerfectWall PW 1000 и PW 1500 - это маркизы, которые могут выдвигаться и втягиваться с помощью рукоятки. Маркизы фиксируются опорами на стенке автомобиля или на земле.

7 Управление маркизой

Соблюдайте также указания по технике безопасности, приведенные в гл. «Указания по технике безопасности» на стр. 144!

7.1 Указания по месту парковки автомобиля



ВНИМАНИЕ!

- Располагайте автомобиль так, чтобы на полотно не могла попасть грязь (ветки, листья и т. п.).
- Не допускайте загрязнений маркизы, чтобы предотвратить истирание, пятна и плесень.

7.2 Выдвижение маркизы



ПРЕДУПРЕЖДЕНИЕ! Опасность травмирования!

Соблюдайте достаточное расстояние до других автомобилей или каких-либо предметов. После выдвижения со всех сторон должно иметься расстояние не менее 40 см до других автомобилей или каких-либо предметов.

- Зафиксируйте рукоятку в креплении маркизы (рис. **1**, стр. 3).
- Вращайте рукоятку до тех пор, пока маркиза не выдвинется приблизительно на 1,5 метра (рис. **2**, стр. 3).
- Полностью сдвиньте правую опору в лицевой панели, чтобы ее можно было свободно перемещать (рис. **3**, стр. 4).
- Поверните правую опору в сторону (рис. **3**, стр. 4).
- Откиньте правую опору вниз и установите ее на землю (рис. **4**, стр. 4).
- Отрегулируйте опору на требуемую высоту (рис. **5**, стр. 5).
- Поднимите рычаг опоры вверх, чтобы зафиксировать ее (рис. **6**, стр. 5).
- Точно так же выдвиньте вторую опору.
- Вращайте рукоятку до тех пор, пока маркиза не выдвинется в требуемое положение. Обычно ставьте опору вертикально под лицевую панель, чтобы маркиза всегда надежно удерживалась.

- Поверните рукоятку приблизительно на 1/4 оборота назад, чтобы натянуть полотно.

**ВНИМАНИЕ! Опасность повреждения!**

Полотно маркизы не должно провисать по краям, а всегда должно быть натянуто. Если полотно провисает, то оно может тереться о рычаги и получить повреждения. В длинных маркизах полотно может слегка провисать в центре.

- Вытащите рукоятку из крепления маркизы.

Установка опоры на землю**ПРЕДУПРЕЖДЕНИЕ! Опасность травмирования**

- Устанавливайте опору только на прочный грунт.
- Предохраните опору от смещения.

- Установите опору вертикально под лицевой панелью.
- Закрепите опору с помощью фиксатора (рис. **7**, стр. 5).
- Отрегулируйте опору слегка ниже, чтобы лицевая панель висела слегка наклонно. Благодаря этому вода при небольшом дожде может свободно стекать (рис. **8**, стр. 6).

Крепление опоры на автомобиле

Вы можете закрепить маркизу непосредственно на автомобиле, если установили стопоры опор.

- Переместите крышку стопора вверх (рис. **9**, стр. 6).
- Вставьте опору в стопор (рис. **9**, стр. 6).
- Переместите крышку стопора вниз (рис. **9**, стр. 6).
- Отрегулируйте опору слегка ниже, чтобы лицевая панель висела слегка наклонно. Благодаря этому вода при небольшом дожде может свободно стекать (рис. **10**, стр. 6).

Монтаж растяжки

В маркизах с длиной 4 метра и более в ее центре необходимо закрепить растяжку. Она предотвращает провисание маркизы.

- Сдвиньте растяжку (рис. 11, стр. 7).
- Зафиксируйте верхний конец растяжки в крепежном приспособлении на корпусе (рис. 11, стр. 7).
- Вставьте другой конец растяжки в крепежном приспособлении в лицевой панели (рис. 11, стр. 7).

7.3 Убирание маркизы



ВНИМАНИЕ!

- Убирайте маркизу только в том случае, если на полотне отсутствует грязь (ветки, листья и т. п.). В противном случае при втягивании маркиза может быть повреждена.
 - Не допускайте загрязнений маркизы, чтобы предотвратить истирание, пятна и плесень.
 - При уборании маркизы следите за тем, чтобы не были зажаты ветки, сучья или какие-либо другие предметы.
- Удалите грязь (ветки, листья и т. п.), лежащую на полотне.
 - Отпустите крепление опор (фиксатор или стопор на автомобиле).
 - Зафиксируйте верхний конец рукоятки в креплении маркизы.
 - Вращайте рукоятку до тех пор, пока маркиза не будет выдвинута всего приблизительно на 1,5 метра. Обычно ставьте опоры вертикально под лицевую панель, чтобы маркиза всегда надежно удерживалась.
 - Опустите рычаг правой опоры, чтобы разблокировать ее.
 - Полностью сдвиньте опору.
 - Сложите правую опору вверх.
 - Поверните правую опору в лицевую панель.
 - Сместите нижнюю часть правой опоры в стопор лицевой панели.
 - Точно так же втяните вторую опору.
 - Вращайте рукоятку до тех пор, пока маркиза не будет полностью убрана.

- Прежде, чем начать движение, убедитесь в том, что маркиза полностью убрана. Лицевая панель должна плотно прилегать к корпусу.
- Вытащите рукоятку из крепления маркизы.

***ВНИМАНИЕ! Опасность повреждения!***

Если маркиза была убрана во влажном состоянии, то при первой же возможности выдвиньте ее и дайте полотну высохнуть. Если влажное полотно долгое время остается свернутым, она может заплесневеть или может выцвести краска.

8 Очистка и уход

8.1 Чистка

**ВНИМАНИЕ! Опасность повреждения!**

- Категорически запрещается очищать маркизу очистителем высокого давления.
- Не используйте для чистки абразивные чистящие средства или острые предметы, т. к. они могут привести к повреждениям изделия.

- Убирайте любую грязь (ветки, листья и т. п.), которая лежит на полотне, чтобы предотвратить истирание, пятна и плесень. Кроме того, маркиза может быть повреждена при втягивании.
- Для удаления пыли и грязи регулярно очищайте полотно маркизы:
 - Для этого используйте воду с 30 г моющего средства и 30 г отбеливателя на 10 л воды.
 - Намылите полотно этим составом и оставьте его действовать на пять минут.
 - Тщательно прополощите чистой водой. Убедитесь в том, что жидкость для чистки с отбеливателем полностью смыта. В противном случае полотно может быть повреждено.
 - Дайте полотну высохнуть.

**УКАЗАНИЕ**

Изготовитель рекомендует:

- для очистки полотна используйте чистящее средство для маркиз Dometic Clean&Care (арт. № 9103501116, можно приобрести в сервисной организации).

8.2 Смазка

- При необходимости, смажьте шарниры маркизы парафиновым воском, тефлоновым или силиконовым маслом.

8.3 Контроль

**ПРЕДУПРЕЖДЕНИЕ!**

Не пользуйтесь маркизой, если требуется регулировка или ремонт.

При обнаружении повреждений обратитесь в сервисную организацию в вашей стране (адреса указаны на оборотной стороне инструкции).

- Регулярно контролируйте маркизу на предмет дисбаланса и износа, а также на предмет повреждений критических деталей.
- Регулярно контролируйте маркизу:
 - Полотно без повреждений?
 - Рычаги и лицевая панель без повреждений и следов износа?
 - Маркиза закрывается должным образом?

8.4 Подтягивание винтов шарниров

Винты на шарнире необходимо подтянуть после первых нагрузок:

- после первого отпуска с использованием маркизы
- через 20000 км пробега или шесть месяцев после установки маркизы (в зависимости от того, какой момент наступает раньше)

Кроме того, рекомендуется контролировать винты шарниров при регулярном техническом осмотре автомобиля.

В целях подтягивания винтов обратитесь в сервисную организацию.

Инструкция для сервисной организации (рис. 12, стр. 7)

**ВНИМАНИЕ!**

На раздвижные рычаги не должны действовать усилия, чтобы не фальсифицировать момент затяжки винтов.

- Слегка поднимите лицевую панель, чтобы разгрузить шарниры.
- Подтяните винты с моментом затяжки 15 – 25 Нм.

8.5 Латание небольших отверстий в полотне

Небольшие отверстия в полотне или точки, в которых отслаивается покрытие, Вы можете залатать самостоятельно:

- ▶ Используя хлопчатобумажный лоскут, разотрите вокруг поврежденной точки немного жидкого винилового пластыря (арт. № 9103104018, можно приобрести в сервисной организации).
- ✓ Жидкий виниловый пластырь размягчает покрытие. При высыхании покрытие закупоривает отверстие.
- ▶ Прежде, чем убрать маркизу, подождите, пока восстановленное место высохнет.

9 Гарантия

Действителен установленный законом срок гарантии. Если продукт неисправен, обратитесь в торговую организацию или в представительство изготовителя в Вашей стране (адреса см. на оборотной стороне инструкции).

В целях проведения ремонта или гарантийного обслуживания Вы должны также послать следующие документы:

- копию счета с датой покупки,
- причину рекламации или описание неисправности.

10 Утилизация

- ▶ По возможности, выкидывайте упаковочный материал в мусор, подлежащий вторичной переработке.



Если Вы окончательно выводите продукт из эксплуатации, то получите информацию в ближайшем центре по вторичной переработке или в торговой сети о соответствующих предписаниях по утилизации.

11 Технические данные

PerfectWall PW1000					
Ширина:	2,6 м	3 м	3,5 м	4 м	4,5 м
Вылет:	2,5 м				
Вес:	18,6 кг	21 кг	24 кг	27 кг	30 кг

PerfectWall PW1500				
Ширина:	1,5 м	2,6 м	3 м	3,5 м
Вылет:	1 м	2 м	2,5 м	2,5 м / 2,75 м
Вес:	12 кг	18 кг	21 кг	24 кг

PerfectWall PW1500				
Ширина:	4 м	4,5 м	5 м	5,5 м
Вылет:	2,5 м / 2,75 м			
Вес:	27 кг	30 кг	33 кг	36 кг



OSTRZEŻENIE!

- Przed przystąpieniem do używania, ustawiania, czyszczenia i konserwacji tego urządzenia należy przeczytać ze zrozumieniem niniejszą instrukcję obsługi.
- To urządzenie musi zostać zainstalowane przez specjalistę. Nieprawidłowa instalacja może doprowadzić do poważnych obrażeń ciała. Modyfikacje urządzenia mogą być bardzo niebezpieczne i mogą prowadzić do poważnych obrażeń ciała i uszkodzenia urządzenia.
- Ta instrukcja obsługi musi pozostać przy urządzeniu. Posiadacz musi ją uważnie przeczytać.

Spis treści

1	Uwagi dotyczące korzystania z instrukcji	157
2	Wskazówki bezpieczeństwa	157
3	Zakres dostawy	160
4	Osprzęt	160
5	Użytkowanie zgodne z przeznaczeniem	160
6	Opis techniczny	160
7	Obsługa markizy	161
8	Czyszczenie	164
9	Gwarancja	166
10	Utylizacja	167
11	Dane techniczne	167

1 Uwagi dotyczące korzystania z instrukcji

**OSTRZEŻENIE!**

Wskazówka dot. bezpieczeństwa: Nieprzestrzeżenie może prowadzić do śmierci lub ciężkich obrażeń ciała.

**UWAGA!**

Nieprzestrzeżenie może prowadzić do powstania szkód materialnych i zakłóceń w działaniu produktu.

► **Obsługa:** Ten symbol wskazuje, że użytkownik musi podjąć jakieś działanie. Wymagane działania zostały opisane krok po kroku.

✓ Ten symbol opisuje wynik działania.

Rys. 1 5, strona 3: Ten odnośnik wskazuje element na rysunku, w tym przypadku „Pozycję 5 na rysunku 1 na stronie 3”.

2 Wskazówki bezpieczeństwa

Należy stosować się do uwag dot. bezpieczeństwa i dokumentacji, zalecanych przez producenta i branżę motoryzacyjną!

Producent nie odpowiada za szkody spowodowane:

- uszkodzeniem produktu w sposób mechaniczny lub spowodowany przeciążeniami elektrycznymi
- zmianami dokonanymi w produkcie bez wyraźnej zgody producenta
- użytkowaniem w celach innych niż opisane w niniejszej instrukcji

Należy stosować się do następujących wskazówek:

**OSTRZEŻENIE!**

- Przed rozpoczęciem jazdy sprawdzić, czy markiza jest całkowicie wsunięta. Nigdy nie ruszać pojazdem przy otwartej markizie.
- Nigdy nie jeździć z zaczepioną korbką. Przed rozpoczęciem jazdy należy ją zdjąć.

- Nie jeździć, jeśli materiał markizy jest uszkodzony lub naderwany – również wtedy, gdy markiza została prawidłowo zamknięta. Ramiona markizy są podtrzymywane przez materiał. Rozerwanie materiału podczas jazdy powoduje gwałtowne rozerwanie całej markizy. Może to doprowadzić do poważnych obrażeń ciała. Zabezpieczyć markizę w taki sposób, aby podczas jazdy nie doszło do jej przypadkowego wysunięcia.
- **Nie** otwierać markizy podczas jazdy.
- **Nie** otwierać jej również podczas silnego wiatru lub opadów śniegu.
- Wsunąć markizę przed nadejściem silnego wiatru, deszczu lub opadów śniegu.
- Uważać, aby na markizie nie zbierała się woda lub śnieg. Woda lub śnieg może spowodować uszkodzenie markizy lub złamanie jej ramion, co z kolei może doprowadzić do ciężkich obrażeń ciała lub do śmierci.
- Nie zbliżać się do markizy,
 - gdy była otwarta podczas silnego wiatru,
 - gdy utworzyła się na niej kałuża wody,
 - gdy zebrał się na niej śnieg,
 - gdy znajduje się na niej duża ilość zabrudzenia.Markiza może być niestabilna, przechylić się lub złamać.
- Nie pozostawiać wysuniętej markizy bez nadzoru. Wsunąć markizę przed opuszczeniem miejsca postoju.
- Podczas grillowania przy otwartym ogniu zachować odpowiedni odstęp od markizy. W wyniku działania wysokiej temperatury materiał może zostać uszkodzony lub spalony.
- Dzieci od 8. roku życia i osoby o ograniczonych możliwościach fizycznych, sensorycznych lub intelektualnych oraz osoby niedysponujące stosowną wiedzą i doświadczeniem mogą użytkować to urządzenie jedynie pod nadzorem innej osoby bądź uzyskania od niej informacji dotyczących bezpiecznego użytkowania i wynikających z tego zagrożeń.
- Dopilnować, by dzieci nie bawiły się urządzeniem.

**UWAGA!**

- Pojazdy kempingowe lub przyczepy kempingowe należy parkować tak, aby na markizę nie spadały żadne zanieczyszczenia (gałęzie, liście itp.)
- Materiał markizy nie może zwisać, musi być stale napięty. Zwisający materiał może ocierać się o ramiona, ulegając uszkodzeniu. Przy długich markizach materiał na środku może zwisać.
- Markizę można wsunąć tylko wówczas, gdy nie znajdują się na niej zanieczyszczenia (gałęzie, liście itp.). W przeciwnym razie może ulec uszkodzeniu.
- Chronić markizę od brudu, przetarć, plam i pleśni.
- Mokrą markizę wsuwać tylko w przypadku zagrożenia bezpieczeństwa. Wysunąć ją ponownie, gdy to tylko możliwe. W przeciwnym razie może dojść do powstania pleśni lub plam albo mogą wyblaknąć kolory.
- Nie wyginać ramienia markizy lub osłony w dół w celu usunięcia z niej wody. Powstałe w ten sposób zdeformowanie może spowodować, że markiza nie będzie działać prawidłowo.
- Nie wieszać żadnych przedmiotów na markizie, ani na przedniej osłonie ani na ramionach.
- Nie używać sprayu (np. do owadów, do włosów) w pobliżu markizy. Spray spowoduje zabrudzenie, przez które materiał utraci zdolność sperlania wody.
- Jeżeli po zamontowaniu markizy ponad drzwiami nie pozostaje wystarczająco dużo wolnego miejsca, podczas rozwijania oraz zwijania drzwi muszą pozostać zamknięte, aby uniknąć ich kontaktu z ramionami lub przednią listwą. Niezbędne wolne miejsce zależy od rodzaju konstrukcji drzwi (szerokość drzwi, drzwi uchylne lub przesuwane) oraz ustawionego kąta nachylenia markizy.

3 Zakres dostawy

Liczba	Nazwa
1	Markiza
1	Instrukcja obsługi
1	Instrukcja montażu

4 Osprzęt

Elementy dostępne jako osprzęt (nieobjęte zakresem dostawy):

Nazwa	Numer wyrobu
Dometic Light LK120	9106504018
Oświetlenie LED z pilotem do montażu na ramionach markizy	
Tie Down Kit	9103104000
Pasy do mocowania markizy	

5 Użytkowanie zgodne z przeznaczeniem

Markizy PerfectWall PW1000 oraz PW1500 nadają się do montażu na pojazdach kempingowych lub przyczepach kempingowych.

Markizy można używać tylko podczas postoju.

6 Opis techniczny

PerfectWall PW1000 i PW1500 to markizy, które mogą być wysuwane i wsuwane przy użyciu ręcznej korbki. Markizy są zabezpieczone podporami przy ścianie pojazdu lub na ziemi.

7 Obsługa markizy

Należy także przestrzegać wskazówek dotyczących bezpieczeństwa. „Wskazówki bezpieczeństwa” na stronie 157!

7.1 Wskazówki dot. miejsca postoju pojazdu

**UWAGA!**

- Pojazd parkować tak, aby na markizę nie spadały żadne zanieczyszczenia (gałęzie, liście itp.)
- Chronić markizę od brudu, przetarć, plam i pleśni.

7.2 Wysuwanie markizy

**OSTRZEŻENIE! Ryzyko obrażeń!**

Należy zachować wystarczającą odległość od przedmiotów lub innych pojazdów. Po wysunięciu markizy minimalna odległość musi wynosić 40 cm.

- Zablokować korbkę ręczną w mocowaniu markizy (rys. **1**, strona 3).
- Obracać korbką ręczną, aż markiza zostanie wysunięta na ok. 1,5 m (rys. **2**, strona 3).
- Zsunąć całkowicie prawą podporę w osłonie przedniej tak, aby możliwe było jej swobodne przemieszczanie (rys. **3**, strona 4).
- Obrócić prawą podporę w bok (rys. **3**, strona 4).
- Rozłożyć prawą podporę w dół i postawić na ziemi (rys. **4**, strona 4).
- Ustawić żądaną wysokość podpory (rys. **5**, strona 5).
- Dźwignię podpory przestawić w górę, aby ją zablokować (rys. **6**, strona 5).
- Tak samo postąpić z drugą podporą.
- Przekręcić korbkę ręczną tak, aby markiza wysunęła się do pożądanej pozycji. Podpory ustawiać regularnie pionowo pod osłoną przednią, aby przez cały czas markiza była utrzymywana stabilnie.
- Przekręcić korbkę ręczną o ok. 1/4 obrotu, aby naprężyć materiał.

**UWAGA! Niebezpieczeństwo uszkodzenia!**

Materiał markizy nie może zwisać, musi być stale napięty. Zwisający materiał może ocierać się o ramiona, ulegając uszkodzeniu.

Przy długich markizach materiał na środku może zwisać.

- ▶ Wyczepić korbkę ręczną z mocowania markizy.

Stawianie podpór na ziemi**OSTRZEŻENIE! Ryzyko obrażeń**

- Podpory zawsze stawiać wyłącznie na stabilnym podłożu.
- Zabezpieczyć podpory przed poślizgiem.

- ▶ Ustawić podporę pionowo pod osłoną przednią.
- ▶ Zabezpieczyć podporę szpilkami (rys. **7**, strona 5).
- ▶ Jedną podporę stawić trochę niżej, aby osłona przednia wisiała pod lekkim skosem. Dzięki temu zapewnione będzie ściekanie wody podczas lekkiego deszczu (rys. **8**, strona 6).

Mocowanie podpór do pojazdu

Po zamontowaniu odpowiednich blokad możliwe jest mocowanie markizy bezpośrednio do pojazdu.

- ▶ Przesunąć osłonę blokady w górę (rys. **9**, strona 6).
- ▶ Zaczepić podporę w blokadzie (rys. **9**, strona 6).
- ▶ Przesunąć osłonę blokady w dół (rys. **9**, strona 6).
- ▶ Jedną podporę stawić trochę niżej, aby osłona przednia wisiała pod lekkim skosem. Dzięki temu zapewnione będzie ściekanie wody podczas lekkiego deszczu (rys. **10**, strona 6).

Montaż drążka napinającego

W przypadku markiz o długości 4 m lub dłuższych na ich środku musi zostać zamontowany drążek napinający. W ten sposób zapobiega się zwisaniu markizy.

- Zsunąć drążek napinający (rys. **11**, strona 7).
- Górny koniec drążka napinającego zablokować w uchwycie przy obudowie (rys. **11**, strona 7).
- Drugi koniec drążka napinającego wsunąć w uchwyt w osłonie przedniej (rys. **11**, strona 7).

7.3 Wsuwanie markizy



UWAGA!

- Markizę można wsunąć tylko wówczas, gdy nie znajdują się na niej zanieczyszczenia (gałęzie, liście itp.). W przeciwnym wypadku może ona ulec uszkodzeniu.
- Chronić markizę od brudu, przetarć, plam i pleśni.
- Podczas wsuwania uważać, aby nie zakleszczyły się gałęzie lub inne przedmioty.

- Usunąć zabrudzenie (gałęzie liście lub inne) znajdujące się na materiale.
- Usunąć mocowanie podpór (szpilki lub blokada przy pojeździe).
- Górny koniec korbki ręcznej zablokować w uchwycie markizy.
- Obracać korbką ręczną, aż markiza będzie wysunięta tylko jeszcze na ok. 1,5 m. Podpory ustawiać regularnie pionowo pod osłoną przednią, aby przez cały czas markiza była utrzymywana stabilnie.
- Dźwignię podpory przestawić w dół, aby zwolnić podporę.
- Całkowicie zsunąć podporę.
- Prawą podporę złożyć do góry.
- Obrócić prawą podporę w stronę osłony przedniej.
- Wsunąć dolną część prawej podpory w blokadę osłony przedniej.
- Tak samo postąpić z drugą podporą.
- Kręcić korbką ręczną do momentu, aż markiza zostanie całkowicie wsunięta.

- ▶ Przed odjazdem upewnić się, że markiza jest całkowicie wsunięta. Osłona przednia musi mocno przylegać do obudowy.
- ▶ Wyczepić korbkę ręczną z mocowania markizy.

**UWAGA! Niebezpieczeństwo uszkodzenia!**

W przypadku wsunięcia wilgotnej markizy należy przy najbliższej okazji wysunąć ją i osuszyć. Jeśli wilgotny materiał jest przez dłuższy czas zrolowany, może zbutwieć i wyblaknąć.

8 Czyszczenie

8.1 Czyszczenie

**UWAGA! Niebezpieczeństwo uszkodzenia!**

- **Nigdy** nie czyścić markizy urządzeniem wysokociśnieniowym.
- Do czyszczenia nie używać agresywnych środków czyszczących lub twardych przedmiotów, gdyż mogą one uszkodzić produkt.

- ▶ Usuwać zabrudzenie (gałęzie, liście itp.) z markizy, aby uniknąć powstawania przetarć, plam i pleśni. Poza tym markiza może ulec uszkodzeniu podczas wsuwania.
- ▶ Regularnie czyścić materiał markizy, usuwając z niego kurz i brud.
 - Używać do tego mieszanki z 10 litrów wody i 30 g płynu do mycia naczyń oraz 30 g środka wybielającego.
 - Nanieść płyn czyszczący na materiał i pozostawić na pięć minut.
 - Spłukać dokładnie czystą wodą.Upewnić się, czy całkowicie został usunięty płyn czyszczący ze środkiem wybielającym. Pozostałości mogą uszkodzić materiał.
- Pozostaw materiał do wysuszenia.

**WSKAZÓWKA**

Zalecenie producenta:

- Do czyszczenia tkaniny stosować środek do czyszczenia markiz Dometic Clean&Care (nr art. 9103501116, dostępny u partnerów serwisowych).

8.2 Smarowanie

- ▶ W razie potrzeby należy posmarować przeguby markizy woskiem parafinowym, olejem teflonowym lub silikonowym.

8.3 Kontrola



OSTRZEŻENIE!

Nie używać markizy, gdy są konieczne regulacje lub naprawy. W przypadku stwierdzenia uszkodzeń należy zwrócić się do partnera serwisowego działającego w danym kraju (adresy na odwrocie instrukcji).

- ▶ Regularnie kontrolować markizę pod kątem niewyważenia i zużycia oraz uszkodzeń jej krytycznych elementów.
- ▶ Należy regularnie sprawdzać:
 - czy materiał nie jest uszkodzony,
 - czy ramiona oraz płaszczyzna przednia nie są uszkodzone i nie widać na nich śladów zużycia,
 - czy markiza zamyka się prawidłowo.

8.4 Dokręcanie śrub przegubów ramienia

Śruby w przegubie ramienia po pierwszych obciążeniach muszą zostać dociągnięte:

- po pierwszym urlopie z wykorzystaniem markiz,
- po przebyciu 20000 km lub po sześciu miesiącach od zabudowy markizy (zależnie od tego, co nastąpi jako pierwsze).

Ponadto śruby w przegubie ramienia powinny być kontrolowane podczas regularnych inspekcji pojazdu.

W celu dokręcenia śrub należy zwrócić się do partnera serwisowego.

Wskazówki odnośnie serwisowania (rys. 12, strona 7)**UWAGA!**

Ramiona markizy muszą pozostawać nieobciążone, aby prawidłowo ustalić moment dociągający śrub.

- Należy lekko unieść przesłonę przednią, aby uwolnić od obciążenia przeguby.
- Dociągnąć śruby momentem 15 – 25 Nm.

8.5 Łatanie drobnych dziur w materiale

Małe dziury w materiale lub miejscach, w których powłoka rozchodzi się, można załatać samodzielnie:

- W tym celu należy wetrzeć bawełnianą ściereczką wokół uszkodzonego miejsca małą ilość płynnego plastra winylowego (nr wyrobu 9103104018, dostępny za pośrednictwem partnera serwisowego).
- ✓ Płynny plaster winylowy zmienia właściwości powłoki, która zamyka dziurę podczas schnięcia.
- Przed wsunięciem markizy należy odczekać, aż miejsce załatania wyschnie.

9 Gwarancja

Warunki gwarancji zostały opisane w Karcie Gwarancyjnej dołączonej do produktu.

W celu naprawy lub rozpatrzenia gwarancji konieczne jest przesłanie:

- kopii rachunku z datą zakupu,
- informacji o przyczynie reklamacji lub opisu wady.

10 Utylizacja

- Opakowanie należy wyrzucić do odpowiedniego pojemnika na śmieci do recyklingu.



Jeżeli produkt nie będzie dłużej eksploatowany, koniecznie dowiedz się w najbliższym zakładzie recyklingu lub w specjalistycznym sklepie, jakie są aktualnie obowiązujące przepisy dotyczące utylizacji.

11 Dane techniczne

PerfectWall PW1000					
Szerokość:	2,6 m	3 m	3,5 m	4 m	4,5 m
Długość po wyciągnięciu:	2,5 m				
Waga:	18,6 kg	21 kg	24 kg	27 kg	30 kg

PerfectWall PW1500				
Szerokość:	1,5 m	2,6 m	3 m	3,5 m
Długość po wyciągnięciu:	1 m	2 m	2,5 m	2,5 m / 2,75 m
Waga:	12 kg	18 kg	21 kg	24 kg

PerfectWall PW1500				
Szerokość:	4 m	4,5 m	5 m	5,5 m
Długość po wyciągnięciu:	2,5 m / 2,75 m			
Waga:	27 kg	30 kg	33 kg	36 kg



VÝSTRAHA!

- Před použitím, seřizováním, čištěním a provedením údržby si musíte přečíst tento návod a porozumět jeho obsahu.
- Přístroj musí instalovat odborník. Následkem nesprávné instalace může dojít k vážným úrazům. Provedení přestavby přístroje může být mimořádně nebezpečné a může mít za následek vážné úrazy nebo poškození přístroje.
- Tento návod musí zůstat u přístroje. Majitel si jej musí pozorně přečíst.

Obsah

1	Pokyny k používání tohoto návodu	169
2	Bezpečnostní pokyny	169
3	Rozsah dodávky	172
4	Příslušenství	172
5	Použití v souladu se stanoveným účelem	172
6	Technický popis	172
7	Obsluha markýzy	173
8	Čištění a péče	176
9	Záruka	178
10	Likvidace	178
11	Technické údaje	179

1 Pokyny k používání tohoto návodu

**VÝSTRAHA!**

Bezpečnostní pokyny: Následkem nedodržení pokynů mohou být smrtelná nebo vážná zranění.

**POZOR!**

Nedodržení pokynů může mít za následek hmotné škody a narušení funkce výrobku.

- ▶ **Činnost:** Tento symbol vás vyzývá k tomu, abyste něco učinili. Potřebné činnosti jsou popisovány v příslušném pořadí.
- ✓ Tento symbol popisuje výsledek určité činnosti.

Obr. 1 5, strana 3: Tento údaj odkazuje na prvek, zobrazený na obrázku. Na tomto příkladu se jedná o „pozici 5 na obrázku 1 na straně 3“.

2 Bezpečnostní pokyny

Dodržujte předepsané bezpečnostní pokyny a předpisy vydané výrobcem vozidla a autoservisem!

V následujících případech nepřebírá výrobce žádné záruky za škody:

- Poškození výrobku působením mechanických vlivů a přepětí
- Změna výrobku bez výslovného souhlasu výrobce
- Použití k jiným účelům, než jsou popsány v tomto návodu

Respektujte následující výstražné pokyny:**VÝSTRAHA!**

- Před zahájením jízdy zkontrolujte, zda je markýza kompletně zasunutá. Pokud je markýza vysunutá, nikdy nepojíždějte vozidlem.
- Nikdy nejezděte se zasunutou klikou. Před zahájením jízdy kliku sundejte.
- Nejezděte s vozidlem, pokud je plachta poškozená nebo natržená, i když je markýza řádně zasunuta! Plachta drží ramena markýzy. Pokud se plachta za jízdy roztrhne, markýza se náhle vysune. Může dojít k vážným úrazům. Zajistěte markýzu tak, aby se nemohla za jízdy náhle a nečekaně vysunout.
- Markýzu **nevysunujte** za jízdy.
- **Nevysunujte** markýzu za silného větru nebo sněžení.
- Pokud očekáváte silný vítr, déšť nebo sněžení, markýzu zasuňte.
- Dávejte pozor, aby se na plachtě nehromadila voda nebo sníh. V opačném případě může dojít k poškození markýzy nebo ke zlomení ramen markýzy s následným vážným nebo smrtelným úrazem.
- Za následujících okolností se nepřibližujte k markýze:
 - Markýza zůstala za silného větru vysunutá,
 - Na markýze se vytvořily „lavóry“ vody,
 - Došlo k nahromadění sněhu,
 - Na plátně markýzy je velké množství hrubých nečistot.Markýza se může náhle nečekaně pohnout, může být nestabilní a ohnout se nebo zlomit.
- Nenechávejte vysunutou markýzu bez dozoru. Dříve, než opustíte své stání, musíte markýzu zasunout.
- Při grilování pamatujte na dostatečnou vzdálenost markýzy od otevřeného ohně. Může dojít k poškození plachty vysokou teplotou nebo k jejímu požáru.
- Tento přístroj mohou používat děti od 8 let a osoby se sníženými fyzickými, smyslovými nebo duševními schopnostmi, nebo osoby s nedostatkem zkušeností a znalostí, pokud budou pod dozorem, nebo pokud byly poučeny o bezpečném použití přístroje a rozumějí nebezpečím, které z použití výrobku vyplývají.
- Děti musejí být pod dohledem tak, aby si s výrobkem nehrály.

**POZOR!**

- Zaparkujte obytný přívěs nebo obytný automobil tak, aby nemohlo dojít ke znečištění plachty (větve, listy apod.).
- Plachta markýzy nesmí být na okrajích prověšená, musí být vždy napnutá. V případě, že je plachta prověšená, může dřít o ramena a může dojít k jejímu poškození.
V případě dlouhých markýz může být plachta uprostřed prověšená.
- Markýzu smíte složit pouze za předpokladu, že na plachtě nejsou žádné nečistoty (větve, listy apod.). V opačném případě může dojít při zasouvání markýzy k jejímu poškození.
- Chraňte markýzu před nečistotami, prodřením, skvrnami a plísněmi.
- Mokrou markýzu zasouvejte pouze z bezpečnostních důvodů. Jakmile je to opět možné, ihned ji vysuňte. V opačném případě se mohou vytvořit skvrny nebo plísně, nebo může dojít k vyblednutí barvy.
- Nikdy neohýbejte ramena markýzy nebo clonu dolů k tomu, abyste nechali z markýzy odtéct vodu. Může dojít ke zdeformování markýzy a nepříznivému ovlivnění její funkce.
- Nevěšzte na markýzu, na čelní clonu ani na ramena markýzy žádné předměty.
- Nepoužívejte v blízkosti markýzy žádné spreje (např. repelenty, tužidla na vlasy apod.). Následkem je znečištění plachty nebo ztráta její impregnace.
- Pokud po montáži markýzy není nad dveřmi dostatečný volný prostor, musejí dveře během zasouvání nebo vysouvání zůstat zavřené, aby se zabránilo kontaktu dveří s rameny nebo přední lištou.
Požadovaný volný prostor závisí na typu dveří (šířka dveří, otočné nebo výsuvné dveře) a nastaveném úhlu sklonu markýzy.

3 Rozsah dodávky

Počet	Název
1	Markýza
1	Návod k obsluze
1	Návod k montáži

4 Příslušenství

Dostupné jako příslušenství (není součástí dodávky):

Název	Číslo výrobku
Dometic Light LK120	9106504018
Osvětlení LED s dálkovým ovladačem k montáži na ramena markýzy	
Tie Down Kit	9103104000
Popruhy k napnutí markýzy	

5 Použití v souladu se stanoveným účelem

Markýzy PerfectWall PW 1000 a PW 1500 jsou vhodné k instalaci na obytné vozy nebo obytné přívěsy.

Markýzy používejte pouze na zaparkovaném vozidle.

6 Technický popis

PerfectWall PW 1000 a PW 1500 jsou markýzy, které jsou vysouvány a zasouvány ruční klikou. Markýzy jsou zajištěny opěrami opřenými o stěnu vozidla nebo o zem.

7 Obsluha markýzy

Dodržujte také bezpečnostní pokyny uvedené v části kap. „Bezpečnostní pokyny“ na straně 169!

7.1 Pokyny k výběru stání vozidla

**POZOR!**

- Zaparkujte vozidlo tak, aby nemohlo dojít ke znečištění plachty (větve, listy apod.).
- Chraňte markýzu před nečistotami, prodřením, skvrnami a plísněmi.

7.2 Vysunutí markýzy

**VÝSTRAHA! Nebezpečí úrazu!**

Pamatujte na dostatečnou vzdálenost od předmětů a jiných vozidel. Po vysunutí musí zůstat v okolí od ostatních předmětů nebo vozidel minimální vzdálenost 40 cm.

- Upevněte ruční kliku do vybrání v markýze (obr. **1**, strana 3).
- Otáčejte klikou, dokud markýzu nevysunete zhruba na vzdálenost 1,5 m (obr. **2**, strana 3).
- Zasuňte pravou opěru v čelní cloně kompletně tak, abyste se mohli volně pohybovat (obr. **3**, strana 4).
- Vychylte pravou opěru do strany (obr. **3**, strana 4).
- Vyklopte pravou opěru dolů stranou a postavte ji na zem (obr. **4**, strana 4).
- Nastavte požadovanou výšku opěry (obr. **5**, strana 5).
- Vyklopte páku opěry nahoru tak, abyste opěru zajistili (obr. **6**, strana 5).
- Druhou opěru vysuňte stejným způsobem.
- Otáčejte klikou, dokud markýzu nevysunete do požadované polohy. Postavte opěry v pravidelné vzdálenosti svisle pod čelní clonu tak, aby byla markýza vždy bezpečně podepřena.
- Otočte ruční kliku cca o 1/4 otáčky zpět, tím vypnete plachtu.

**POZOR! Nebezpečí poškození!**

Plachta markýzy nesmí být na okrajích prověšená, musí být vždy napnutá. V případě, že je plachta prověšená, může dřít o ramena a může dojít k jejímu poškození.

V případě dlouhých markýz může být plachta uprostřed prověšená.

- Uvolněte ruční kliku z vybrání v markýze.

Upevnění opěry na zemi**VÝSTRAHA! Nebezpečí úrazu**

- Opěry postavte výhradně na pevný podklad.
- Zajistěte opěry proti uklouznutí.

- Umístěte opěry svisle pod čelní clonu.
- Zajistěte opěry pomocí kolíků (obr. **7**, strana 5).
- Jednu opěru umístěte o něco níže tak, aby čelní clona visela mírně šikmo. Lehký déšť tak může přímo stékat (obr. **8**, strana 6).

Upevnění opěr o vozidlo

Markýzu můžete upevnit přímo na vozidlo, pokud jste namontovali aretační prvky pro opěry.

- Přesuňte kryty aretace nahoru (obr. **9**, strana 6).
- Zavěste opěru do aretačního prvku (obr. **9**, strana 6).
- Přesuňte kryt aretace dolů (obr. **9**, strana 6).
- Jednu opěru umístěte o něco níže tak, aby čelní clona visela mírně šikmo. Lehký déšť tak může přímo stékat (obr. **10**, strana 6).

Montáž napínací rozpěry

V případě markýz o délce 4 m a větších musíte doprostřed markýzy upevnit napínací rozpěru. Tím zabráníte průvěsu markýzy.

- Složte napínací rozpěru (obr. **11**, strana 7).
- Umístěte horní konec napínací rozpěry do závěsu v krytu (obr. **11**, strana 7).
- Umístěte druhý konec napínací rozpěry do závěsu v čelní cloně (obr. **11**, strana 7).

7.3 Zasunutí markýzy



POZOR!

- Markýzu smíte složit pouze za předpokladu, že na plachtě nejsou žádné nečistoty (větve, listy apod.). V opačném případě může dojít při zasouvání markýzy k jejímu poškození.
- Chraňte markýzu před nečistotami, prodřením, skvrnami a plísněmi.
- Při zasouvání markýzy pamatujte, že nesmí dojít k zachycení větví nebo jiných předmětů.

- Odstraňte z plachty nečistoty (větve, listy apod.).
- Uvolněte upevnění opěr (kolíky nebo aretaci z vozidla).
- Umístěte horní konec ruční kliky do závěsu v markýze.
- Otáčejte klikou, dokud markýza nebude vysunuta zhruba na vzdálenost 1,5 m. Postavte opěry v pravidelné vzdálenosti svisle pod čelní clonu tak, aby byla markýza vždy bezpečně podepřena.
- Vyklopte páku pravé opěry dolů tak, abyste opěru uvolnili.
- Složte opěry kompletně dohromady.
- Vyklopte pravou opěru nahoru.
- Otočte pravou opěru do čelní clony.
- Zasuňte dolní díl pravé opěry do aretace čelní clony.
- Druhou opěru vysuňte stejným způsobem.
- Otáčejte ruční klikou, dokud nebude markýza kompletně zasunutá.
- Před zahájením jízdy zkontrolujte, zda je markýza kompletně zasunutá. Čelní clona musí těsně přiléhat ke skříni.
- Uvolněte ruční kliku z vybrání v markýze.



POZOR! Nebezpečí poškození!

Pokud zasunete vlhkou markýzu, vysuňte ji při nejbližší možné příležitosti a nechejte plachtu vyschnout. V případě, že zůstane vlhká plachta delší dobu zasunutá, začne plesnivět a může dojít k vyblednutí barev.

8 Čištění a péče

8.1 Čištění

**POZOR! Nebezpečí poškození!**

- **Nikdy** nečistěte markýzu vysokotlakým čističem.
- Nepoužívejte k čištění čisticí písky nebo tvrdé předměty, může dojít k poškození výrobku.

- Odstraňte jakoukoliv nečistotu (větve, listy apod.), která leží na plachtě tak, aby nedošlo k prodření, vzniku skvrn nebo plesnivění. Kromě toho se může markýza během zasouvání poškodit.
- Pravidelně čistěte plachtu markýzy a odstraňujte prach a nečistoty:
 - Používejte k tomu vodu s 30 g pracího prostředku a 30 g bělicího prostředku na 10 litrů vody.
 - Čistěte plachtu tímto roztokem a nechejte čisticí kapalinu pět minut působit.
 - Potom plachtu řádně opláchněte čistou vodou. Zajistěte, aby došlo k úplnému smytí čisticí kapaliny s bělicím prostředkem. V opačném případě může dojít k poškození plachty.
 - Nechejte plachtu vyschnout.

**POZNÁMKA**

Výrobce doporučuje:

- Používejte k praní utěrky prostředek k čištění markýz Dometic Clean&Care (výr. č. 9103501116, dodává servisní partner).

8.2 Mazání

- Podle potřeby namažte klouby markýzy parafínovým voskem, teflonovým nebo silikonovým olejem.

8.3 Kontrola



VÝSTRAHA!

Markýzu nepoužívejte, pokud je nutné nastavení nebo oprava. Zjištěné škody vždy nechejte opravit servisního partnera v příslušné zemi (adresy viz zadní strana návodu).

- Pravidelně kontrolujte, zda není markýza nevyvážená nebo poškozená a opotřebená na kritických částech.
- Markýzu pravidelně kontrolujte:
 - Není plachta poškozená?
 - Nejsou poškozena ramena a čelní clona, nejsou tyto díly opotřebené?
 - Zasouvá se markýza správně?

8.4 Dotažení šroubů zadních kloubových závěsů

Po prvním zatížení musíte dotáhnout šrouby na zadním kloubovém závěsu:

- Po první dovolené s markýzou
- Po 20000 km jízdy nebo po šesti měsících po instalaci markýzy (platí podmínka, která nastane dříve)

Kromě toho kontrolujte šrouby na kloubovém závěsu při pravidelných kontrolách vozidla.

S dotažením šroubů kontaktujte svého servisního partnera.

Pokyny pro servis (obr. 12, strana 7)



POZOR!

Ramena markýzy nesmějí být zatížená, aby se nezkreslil údaj utahovacího momentu šroubů.

- Mírně zvedněte přední lištu, aby klouby nebyly zatížené.
- Dotáhněte šrouby momentem 15 – 25 Nm.

8.5 Vyspravení drobných trhlin v plachtě

Drobné trhliny v plachtě nebo místa, na kterých se uvolňuje povrchová úprava, můžete vyspravit vlastními silami:

- ▶ Vetřete bavlněnou utěrkou kolem poškozeného místa menší množství vinylového roztoku (obj. č. 9103104018, dodává váš servisní partner).
- ✓ Kapalný vinylový roztok uvolní povrchovou úpravu. Tato povrchová úprava po vyschnutí zapraví otvor.
- ▶ Než markýzu zasunete vyčkejte, dokud opravované místo neuschne.

9 Záruka

Na výrobek je poskytována záruka v souladu s platnými zákony. Pokud je výrobek vadný, kontaktujte svého specializovaného prodejce nebo pobočku výrobce ve vaší zemi (adresy jsou uvedeny na zadní straně návodu).

K provedení opravy nebo záručního servisu musíte zaslat následující dokumentaci:

- kopii účtu s datem zakoupení,
- uvedení důvodu reklamace nebo popisu vady.

10 Likvidace

- ▶ Obalový materiál likvidujte v odpadu určeném k recyklaci.



Jakmile výrobek zcela vyřadíte z provozu, informujte se v příslušných recyklačních centrech nebo u specializovaného prodejce o příslušných předpisech o likvidaci odpadu.

11 Technické údaje

PerfectWall PW1000					
Šířka:	2,6 m	3 m	3,5 m	4 m	4,5 m
Výsuv:	2,5 m				
Hmotnost:	18,6 kg	21 kg	24 kg	27 kg	30 kg

PerfectWall PW1500				
Šířka:	1,5 m	2,6 m	3 m	3,5 m
Výsuv:	1 m	2 m	2,5 m	2,5 m / 2,75 m
Hmotnost:	12 kg	18 kg	21 kg	24 kg

PerfectWall PW1500				
Šířka:	4 m	4,5 m	5 m	5,5 m
Výsuv:	2,5 m / 2,75 m			
Hmotnost:	27 kg	30 kg	33 kg	36 kg



VÝSTRAHA!

- Tento návod si musíte pred použitím, inštaláciou, čistením a údržbou prečítať a porozumieť mu.
- Tento prístroj musí inštalovať len odborný technik. Nesprávna inštalácia môže viesť k ťažkým zraneniam. Prestavby na prístroji môžu byť mimoriadne nebezpečné a môžu viesť k ťažkým zraneniam alebo k poškodeniam prístroja.
- Tento návod musí zostať vždy pri prístroji. Vlastník prístroja si ho musí pozorne prečítať.

Obsah

1	Pokyny na používanie návodu	181
2	Bezpečnostné pokyny	181
3	Rozsah dodávky	184
4	Príslušenstvo	184
5	Používanie podľa určenia	184
6	Technický opis	184
7	Obsluha markízy	185
8	Čistenie a údržba	188
9	Záruka	190
10	Likvidácia	190
11	Technické údaje	191

1 Pokyny na používanie návodu

**VÝSTRAHA!**

Bezpečnostný pokyn: Nerešpektovanie môže viesť k smrti alebo k ťažkému zraneniu.

**POZOR!**

Nerešpektovanie môže viesť k materiálnym škodám a môže ovplyvniť funkciu zariadenia.

► **Konanie:** Tento symbol vám ukáže, že musíte niečo urobiť. Potrebné konania budú popísané krok za krokom.

✓ Tento symbol popisuje výsledok niektorého konania.

Obr. 1 5, strana 3: Tento údaj poukazuje na prvok v niektorom obrázku, v tomto príklade na „Pol. 5 v Obr. 1 na strane 3“.

2 Bezpečnostné pokyny

Rešpektujte bezpečnostné pokyny a podklady vydané výrobcom vozidla a predpísané remeselným zväzom!

Výrobca v nasledujúcich prípadoch nepreberá za škody žiadnu záruku:

- Poškodenia produktu mechanickými vplyvmi a prepätiami
- Zmeny produktu bez vyjadreného povolenia výrobcu
- Použitie na iné účely ako sú účely uvedené v návode

Dodržiavajte nasledujúce varovné upozornenia:**VÝSTRAHA!**

- Pred začatím jazdy skontrolujte, či je markíza úplne zatahnutá. Vozidlo nikdy nepohybujte s rozťahnutou markízou.
- Nikdy nejazdite so zavesenou kľukou. Kľuku pred začatím jazdy odmontujte.
- S vozidlom nejazdite, keď je tkanina markízy poškodená alebo roztrhaná, aj keď je markíza riadne zatahnutá! Ramená markízy drží tkanina markízy. Keď sa tkanina pri jazde roztrhne, markíza sa náhle rozťahne. To môže viesť k ťažkým zraneniam! Markízu zaistite tak, aby sa počas jazdy nemohla náhle a neočakávane rozťahnuť.
- Markízu **nerozťahujte** počas jazdy.
- Markízu **nerozťahujte** pri silnom vetre alebo snežení.
- Markízu zatahnite, keď sa očakáva silný vietor, silný dážď alebo sneženie.
- Dbajte na to, aby sa na tkanine nehromadila voda alebo sneh. V opačnom prípade sa markíza môže poškodiť, alebo môžu prasknúť ramená markízy a spôsobiť tak ťažké zranenia alebo smrť.
- K markíze sa nepribližujte,
 - keď ste ju nechali rozťahnutú počas silného vetra,
 - keď sa na nej nahromadila voda,
 - keď sa na nej nahromadil sneh,
 - keď sa na tkanine markízy nachádza veľké množstvo hrubých nečistôt.Markíza sa môže neočakávane pohnúť, stať sa nestabilnou a prehnúť sa alebo zlomiť.
- Rozťahnutú markízu nenechávajte bez dozoru. Skôr ako opustíte vaše stanovisko, zatahnite markízu.
- Pri grilovaní na otvorenom ohni sa zdržiavajte v dostatočnej vzdialenosti od markízy. Tkanina sa môže od tepla poškodiť alebo môže začať horieť.
- Prístroj smú používať deti od 8 rokov a osoby so zníženými psychickými, zmyslovými alebo mentálnymi schopnosťami a vedomosťami, keď sú pod dozorom alebo keď boli poučené o bezpečnom používaní prístroja a keď chápu, aké riziká z toho vyplývajú.
- Dohliadnite na to, aby sa deti nehrali s prístrojom.

**POZOR!**

- Obytné vozidlo alebo karavan odstavte tak, aby sa na tkaninu markízy nemohli dostať žiadne nečistoty (konáre, listy alebo podobné).
- Tkanina markízy nesmie na okrajoch prevísať, ale musí byť vždy napnutá. Keď tkanina prevísa, môže dochádzať k jej treniu o ramená a k jej následnému poškodeniu.
V prípade dlhých markíz môže tkanina prevísať v strede.
- Markízu zaťažujte len vtedy, keď sa na jej tkanine nenachádzajú žiadne nečistoty (konáre, listy alebo pod.). V opačnom prípade sa markíza pri zaťažovaní môže poškodiť.
- Markízu udržiavajte v čistote, aby ste zabránili vytvoreniu odretých miest, škvrn a plesní.
- Mokrú markízu zaťažujte len z bezpečnostných dôvodov. Hneď ako to bude možné, ju znova rozťahnite. V opačnom prípade sa môžu na markíze vytvoriť škvrny alebo plesne, alebo môže farba vyblednúť.
- Nikdy neohýbajte rameno markízy alebo clonu smerom nadol, aby ste nechali odtiecť vodu z markízy. Markíza sa tým môže zdeformovať a ovplyvní sa tým jej funkcia.
- Na markízu nevešajte žiadne predmety, ani na prednú clonu, ani na ramená markízy.
- V blízkosti markízy nepoužívajte žiadne spreje (napr. repelent, lak na vlasy). Tkanina markízy sa tým znečistí alebo sa tým môže stratiť vodoodpudivý efekt tkaniny markízy.
- Ak po namontovaní markízy nezostane nad dverami dostatočný voľný priestor, musia dvere zostať počas rozťahovania a zaťažovania markízy zatvorené, aby sa predišlo kontaktu dverí s ramenami alebo prednou lištou markízy.
Potrebné voľné miesto závisí od konštrukčného typu dverí (šírka dverí, otváracie alebo posuvné dvere), ako aj od nastaveného uhla sklonu markízy.

3 Rozsah dodávky

Počet	Označenie
1	Markíza
1	Návod na použitie
1	Návod na montáž

4 Príslušenstvo

K dispozícii ako príslušenstvo (nie je súčasťou dodávky)

Označenie	Tovarové číslo
Dometic Light LK120 LED osvetlenie s diaľkovým ovládaním pre montáž na ramená markízy.	9106504018
Tie Down Kit Popruhy na napnutie markízy	9103104000

5 Používanie podľa určenia

Markízy PerfectWall PW1000 a PW1500 sú vhodné pre montáž na obytné vozidlá a karavany.

Markízy sa smú používať len vtedy, keď vozidlo stojí.

6 Technický opis

PerfectWall PW1000 a PW1500 sú markízy, ktoré sa rozťahujú a zaťahujú pomocou ručnej kľuky. Markízy sú zaistené podperami k stene vozidla alebo k zemi.

7 Obsluha markízy

Rešpektujte aj bezpečnostné upozornenia v kap. „Bezpečnostné pokyny“ na strane 181!

7.1 Upozornenia týkajúce sa miesta odstavenia vozidla



POZOR!

- Obytné vozidlo alebo karavan odstavte tak, aby sa na tkaninu markízy nemohli dostať žiadne nečistoty (konáre, listy alebo podobné).
- Markízu udržiavajte v čistote, aby ste zabránili vytvoreniu odretých miest, škvŕn a plesní.

7.2 Roztiahnutie markízy



VÝSTRAHA! Nebezpečenstvo poranenia!

Dodržiavajte dostatočnú vzdialenosť od predmetov alebo iných vozidiel. Po roztiahnutí musí byť okolo markízy minimálna vzdialenosť od iných predmetov alebo vozidiel 40 cm.

- Upnite ručnú kľuku do upnutia markízy (obr. **1**, strane 3).
- Otáčajte ručnú kľuku, pokým sa markíza neroztiahne o približne 1,5 m (obr. **2**, strane 3).
- Nasuňte pravú podperu úplne do prednej clony, aby ste sa mohli voľne pohybovať (obr. **3**, strane 4).
- Otočte pravú podperu do strany (obr. **3**, strane 4).
- Sklopte pravú podperu smerom nadol a postavte ju na zem (obr. **4**, strane 4).
- Nastavte podperu na želanú výšku (obr. **5**, strane 5).
- Páku podpery sklopte smerom nahor, aby ste podperu zafixovali (obr. **6**, strane 5).
- Druhú podperu vysuňte rovnakým spôsobom.
- Otáčajte ručnú kľuku, pokým nebude markíza roztiahnutá do želanej polohy. Postavte podperu zvislo pod prednú clonu, aby bola markíza vždy bezpečne zachytená.
- Otočte ručnú kľuku o približne 1/4 otáčky späť, aby sa tkanina napla.

**POZOR! Nebezpečenstvo poškodenia!**

Tkanina markízy nesmie na okrajoch prevísať, ale musí byť vždy napnutá. Keď tkanina prevísa, môže dochádzať k jej treniu o ramená a k jej následnému poškodeniu.

V prípade dlhých markíz môže tkanina prevísať v strede.

- Odopnite ručnú kľuku z upnutia markízy.

Montáž podpery na zem**VÝSTRAHA! Nebezpečenstvo úrazu**

- Podperu montujte výlučne na pevný podklad.
- Podperu zaistíte proti zošmyknutiu.

- Postavte podperu zvislo pod prednú clonu.
- Zaistíte podperu pomocou zaistení (obr. **7**, strane 5).
- Jednu podperu nastavte o niečo hlbšie, aby predná clona bola v mierne šikmej polohe. Vďaka tomu môže slabý dážď hneď odtekať (obr. **8**, strane 6).

Upevnenie podpier na vozidle

Markízu môžete upevniť aj priamo na vozidlo, ak ste namontovali aretácie pre podpery.

- Posuňte kryt aretácie smerom nahor (obr. **9**, strane 6).
- Zaveste podperu do aretácie (obr. **9**, strane 6).
- Posuňte kryt aretácie smerom nadol (obr. **9**, strane 6).
- Jednu podperu nastavte o niečo hlbšie, aby predná clona bola v mierne šikmej polohe. Vďaka tomu môže slabý dážď hneď odtekať (obr. **10**, strane 6).

Montáž napínacej tyče

V prípade markíz s dĺžkou 4 m alebo viac, sa musí do stredu markízy upevniť napínacia tyč. Tým sa zabráni tomu, aby markíza prevísala.

- Poskladajte napínaciu tyč (obr. 11, strane 7).
- Zaczvaknite horný koniec napínacej tyče do upnutia na telese (obr. 11, strane 7).
- Opačný koniec napínacej tyče nasuňte do upnutia v prednej clone (obr. 11, strane 7).

7.3 Zatiahnutie markízy



POZOR!

- Markízu zaťahujte len vtedy, keď sa na jej tkanine nenachádzajú žiadne nečistoty (konáre, listy alebo pod.). V opačnom prípade sa markíza pri zaťahovaní môže poškodiť.
- Markízu udržiavajte v čistote, aby ste zabránili vytvoreniu odretých miest, škvrn a plesní.
- Pri zasúvaní markízy dbajte na to, aby ste nezachytili žiadne konáre alebo podobné predmety.

- Odstráňte nečistoty (konáre, listy a podobné), ktoré ležia na tkanine.
- Uvoľnite upevnenie podpier (zaistenia alebo aretácia na vozidle).
- Zaczvaknite horný koniec ručnej kľuky do upnutia markízy.
- Otáčajte ručnú kľuku, pokým sa markíza neroztiahne približne o 1,5 m. Postavte podpery zvislo pod prednú clonu, aby bola markíza vždy bezpečne zachytená.
- Páku pravej podpery sklopte smerom nadol, aby ste podperu uvoľnili.
- Podpery úplne zasuňte do seba.
- Pravú podperu vyklopte smerom nahor.
- Otočte pravú podperu do prednej clony.
- Spodnú časť pravej podpory nasuňte do aretácie prednej clony.
- Druhú podperu zasuňte rovnakým spôsobom.
- Otáčajte ručnú kľuku, pokým nebude markíza úplne zatiahnutá.

- Pred začatím jazdy s vozidlom sa presvedčte o tom, že je markíza úplne zatiahnutá. Predná clona musí tesne priliehať k telesu.
- Odopnite ručnú kľuku z upnutia markízy.

***POZOR! Nebezpečenstvo poškodenia!***

Keď sa markíza zatiahne v takomto stave, pri najbližšej príležitosti ju opäť rozotiahnite a nechajte tkaninu vyschnúť. Keď vlhká tkanina zostane dlhší čas zrolovaná, môže sa na nej vytvoriť pleseň a farby môžu vyblednúť.

8 Čistenie a údržba

8.1 Čistenie

***POZOR! Nebezpečenstvo poškodenia!***

- Markízu **nikdy** nečistite vysokotlakovým čističom.
- Na čistenie nepoužívajte žiadne ostré čistiace prostriedky alebo tvrdé predmety, pretože tieto by mohli produkt poškodiť.

- Odstráňte akékoľvek nečistoty (konáre, listy a podobne), ktoré ležia na tkanine, aby ste zabránili vytvoreniu odretých miest, škvrn a plesní. Okrem toho sa markíza môže poškodiť, keď ju budete zaťahovať.
- Pravidelne čistite tkaninu markízy, aby ste odstránili prach a nečistoty:
 - K tomu použite vodu s 30 g čistiaceho prostriedku a 30 g bielidla na 10 l vody.
 - Tkaninu týmto roztokom navlhčite a tento čistiaci roztok nechajte päť minút pôsobiť.
 - Následne markízu dôkladne opláchnite čistou vodou. Uistite sa, že je čistiaci roztok s bielidlom kompletne opláchnutý. V opačnom prípade sa môže tkanina poškodiť.
 - Tkaninu nechajte úplne vyschnúť.

***POZNÁMKA***

Výrobca odporúča:

- Na čistenie handry používajte čistič markízy Dometic Clean&Care (tov. č. 9103501116, obráťte sa na servisného partnera).

8.2 Mazanie

- ▶ V prípade potreby namažte kĺby markízy parafínovým voskom, teflónovým alebo silikónovým olejom.

8.3 Kontrola.



VÝSTRAHA!

Markízu nepoužívajte, ak sú potrebné nastavenia alebo opravy. Ak zistíte poškodenia, obráťte sa na servisného partnera v príslušnej krajine (adresy nájdete na zadnej strane návodu).

- ▶ Markízu pravidelne skontrolujte na nevyváženosť a opotrebovanie, ako aj na poškodenia kritických častí.
- ▶ Markízu pravidelne kontrolujte:
 - Je tkanina bez poškodení?
 - Sú ramená a predná clona bez poškodenia a bez stôp opotrebovania?
 - Zaťahuje sa markíza správne?

8.4 Dotiahnutie skrutiek kĺbu ramena

Skrutky na kĺbe ramena sa musia dotiahnuť po prvých zaťaženiach:

- po prvej dovolenke s využitím markízy
- po najazdení 20000 km alebo šiestich mesiacoch po montáži markízy (vždy podľa toho, čo nastane skôr)

Okrem toho sa musia skrutky na kĺbe ramena skontrolovať pri pravidelnej kontrole vozidla.

S dotiahnutím skrutiek sa obráťte na vášho servisného partnera.

Pokyn pre servis (obr. 12, strane 7)



POZOR!

Ramená markízy musia byť bez zaťaženia, aby sa doťahovací moment skrutiek dal presne dodržať.

- ▶ Prednú lištu mierne nadvihnite, aby boli kĺby bez zaťaženia.
- ▶ Skrutky dotiahnite doťahovacím momentom 15 – 25 Nm.

8.5 Zaplátanie malých dier v tkanine

Malé diery v tkanine alebo miesta, na ktorých sa odliepa povrchová vrstva, môžete zaplátať svojpomocne.

- ▶ Bavlnenou tkaninou rozotrite okolo poškodeného miesta mierne tekutú vinylovú záplatu (tov. č. 9103104018, k dispozícii u vášho servisného partnera).
- ✓ Tekutá vinylová záplata naruša povrchovú vrstvu. Povrchová vrstva uzatvorí dieru po vyschnutí.
- ▶ Pred zatahnutím markízy počkajte, pokým nebude opravované miesto suché.

9 Záruka

Platí zákonom stanovená záručná lehota. Ak by bol výrobok chybný, obráťte sa na vášho špecializovaného predajcu alebo na pobočku výrobcu vo vašej krajine (adresy pozri na zadnej strane návodu).

Ak žiadate o vybavenie opravy alebo nárokov vyplývajúcich zo záruky, musíte priložiť nasledovné podklady:

- kópiu faktúry s dátumom kúpy,
- dôvod reklamácie alebo opis chyby.

10 Likvidácia

- ▶ Obalový materiál podľa možnosti odovzdajte do príslušného odpadu na recykláciu.



Keď výrobok definitívne vyradíte z prevádzky, informujte sa v najbližšom recyklačnom stredisku alebo u vášho špecializovaného predajcu o príslušných predpisoch týkajúcich sa likvidácie.

11 Technické údaje

PerfectWall PW1000					
Šírka:	2,6 m	3 m	3,5 m	4 m	4,5 m
Vyťahovanie:	2,5 m				
Hmotnosť:	18,6 kg	21 kg	24 kg	27 kg	30 kg

PerfectWall PW1500				
Šírka:	1,5 m	2,6 m	3 m	3,5 m
Vyťahovanie:	1 m	2 m	2,5 m	2,5 m / 2,75 m
Hmotnosť:	12 kg	18 kg	21 kg	24 kg

PerfectWall PW1500				
Šírka:	4 m	4,5 m	5 m	5,5 m
Vyťahovanie:	2,5 m / 2,75 m			
Hmotnosť:	27 kg	30 kg	33 kg	36 kg



FIGYELMEZTETÉS!

- A jelen útmutatót a használat, beállítás, tisztítás és karbantartás előtt el kell olvasni és meg kell érteni.
- A jelen készüléket szakembernek kell felszerelnie. A hibás felszerelés súlyos sérülésekhez vezethet. A készüléken végzett átépítések rendkívül veszélyesek lehetnek, súlyos sérülésekhez vagy a készülék károsodásához vezethetnek.
- Az útmutatót a készülék közelében kell tartani. A felhasználónak figyelmesen el kell olvasnia az útmutatót.

Tartalomjegyzék

1	Tudnivalók az útmutató használatához	193
2	Biztonsági tudnivalók	193
3	Szállítási terjedelem	196
4	Tartozékok	196
5	Rendeltetésszerű használat	196
6	Műszaki leírás	196
7	A védőtető kezelése	197
8	Tisztítás és ápolás	200
9	Szavatosság	202
10	Ártalmatlanítás	202
11	Műszaki adatok	203

1 Tudnivalók az útmutató használatához

**FIGYELMEZTETÉS!**

Biztonsági tudnivaló: Az utasítás figyelmen kívül hagyása halált vagy súlyos sérülést okozhat.

**FIGYELEM!**

Ha nem veszi figyelembe az információt, az anyagkárosodást eredményezhet, és káros kihatással lehet a termék működésére.

► **Tevékenység:** Ez a szimbólum jelzi, hogy tennie kell valamit. A szükséges tevékenységek lépésről-lépésre követhetők.

✓ Ez a szimbólum egy tevékenység eredményét jelzi.

1 **ábra 5, 3. oldal:** Ez az információ egy ábra egyik elemére utal, jelen példában az „5. tételre az 1. ábrán, a 3. oldalon”.

2 Biztonsági tudnivalók

Vegye figyelembe a járműgyártó és a gépjárműszakma által előírt biztonsági megjegyzéseket és előírásokat!

A gyártó a bekövetkező károkért a következő esetekben nem vállal felelősséget:

- a termék mechanikai behatások és túlfeszültségek miatti sérülése
- a termék kifejezett gyártói engedély nélküli módosítása
- az útmutatóban leírt céloktól eltérő felhasználás

Vegye figyelembe az alábbi figyelmeztetéseket:**FIGYELMEZTETÉS!**

- Az utazás megkezdése előtt ellenőrizze, hogy a védőtető teljesen be van-e húzva. Nyitott védőtető esetén tilos mozgásba hozni a járművet.
- Ne induljon el beakasztott hajtókarral. Az utazás megkezdése előtt vegye le a hajtókart.
- Ha a vászon sérült vagy szakadt, ne induljon el a járművel még akkor se, ha a védőtető megfelelően be van húzva! A védőtető karjait a vászon tartja. Ha menet közben elszakad a vászon, a védőtető hirtelen kinyílik. Ez súlyos sérülésekhez vezethet. Biztosítsa úgy a védőtetőt, hogy az menet közben ne nyílhaszon ki hirtelen és váratlanul.
- Menet közben **ne** nyissa ki a védőtetőt.
- Erős szélben vagy hóesésben **ne** nyissa ki a védőtetőt.
- Húzza be a védőtetőt, ha erős szél, heves eső vagy hóesés várható.
- Ügyeljen arra, hogy a vásznon ne gyűljön össze víz vagy hó. Ellenkező esetben megsérülhet a védőtető, vagy letörhetnek a védőtető karjai, amelyek így súlyos vagy halálos sérüléseket okozhatnak.
- Ne menjen a védőtető közelébe,
 - ha erős szélben nyitva maradt,
 - ha víztócsák keletkeztek rajta,
 - ha hó gyűlt össze rajta,
 - ha nagy mennyiségű durva szennyeződés található a védőtető vásznán.Ilyen esetekben a védőtető váratlanul mozgásba jöhet, instabillá válhat és elgörbülhet vagy eltörhet.
- Ne hagyja őrizetlenül a kinyitott védőtetőt. Húzza be a védőtetőt, mielőtt elhagyja a pihenőhelyet.
- Nyílt láng fölött történő grillezéskor tartson kellő távolságot a védőtetőtől. A forró tűz miatt sérülhet vagy kigyulladhat a vászon.

- A készüléket 8 év feletti gyermekek, valamint korlátozott fizikai, érzékelési és mentális képességű, illetve megfelelő tapasztalattal és tudással nem rendelkező személyek csak felügyelet mellett, illetve a készülék biztonságos használatát és az abból eredő veszélyeket megértve használhatják.
- A gyermekekre figyelni kell, hogy a készülékkel ne játsszanak.

**FIGYELEM!**

- Úgy állítsa le a lakókocsit vagy a lakóautót, hogy ne érhesse szennyeződés (ágak, levelek vagy hasonló dolgok) a vásznat.
- A védőtető vászna nem lóghat be a széleken, hanem mindig feszesnek kell lennie. A laza vászon nekidörzsölődhet a karoknak, ami az anyag károsodását okozhatja. Hosszú védőtetőknél középen belóghat a vászon.
- Csak akkor húzza be a védőtetőt, ha a vásznon nincs szennyeződés (ágak, levelek vagy hasonló dolgok). Ellenkező esetben behúzáskor sérülhet a védőtető.
- Tartsa távol a védőtetőt a szennyeződésektől, hogy megakadályozza a kidörzsölődéseket, foltokat és a penészedést.
- Nedvesen csak biztonsági okokból húzható be a védőtető. A lehető leghamarabb nyissa ki a nedves védőtetőt. Ellenkező esetben penész vagy foltok képződhetnek, vagy kifakulhat a szín.
- Soha ne hajtsa le a védőtető karját vagy a lécet annak érdekében, hogy a víz lefolyjon a védőtetőről. Ellenkező esetben elgörbülhet a védőtető, ami akadályozná a működést.
- Ne akasszon semmilyen tárgyat a védőtetőre, se az első lécre, se pedig a védőtető karjaira.
- Ne használjon spray-ket (pl. rovarvédő spray-t, hajspray-t) a védőtető közelében. Ellenkező esetben szennyeződhet a vászon, vagy megszűnhet a vászon lepergető hatása.
- Amennyiben a védőtető beszerelése után nem marad elég szabad hely az ajtó felett, az ajtót a védőtető ki- és behúzása közben zárva kell hagyni, hogy az ajtó ne érintkezzen a karokkal vagy az első léccel.
A szükséges szabad tér az ajtó kivételétől (szélesség, lengő- vagy tolóajtó), valamint a védőtető beállított dőlésszögétől függ.

3 Szállítási terjedelem

Mennyiség	Megnevezés
1	Védőtető
1	Kezelési útmutató
1	Szerelési útmutató

4 Tartozékok

Tartozékként kapható (nincs mellékelve):

Megnevezés	Cikkszám
Dometic Light LK120	9106504018
A védőtető karjaira felszerelhető távirányítós LED-világítás	
Tie Down Kit	9103104000
A védőtető kifeszítésére szolgáló kötelek	

5 Rendeltetésszerű használat

A PerfectWall PW 1000 és PW 1500 védőtetők lakókocsokra vagy lakóautókra szerelhetők fel.

A védőtetőket csak leállított járművön szabad használni.

6 Műszaki leírás

A PerfectWall PW 1000 und PW 1500 védőtetőket kézi hajtókar segítségével lehet ki- és behúzni. A védőtetőket kitémasztókkal lehet biztosítani a jármű falán vagy a talajon.

7 A védőtető kezelése

Vegye figyelembe a(z) „Biztonsági tudnivalók” fej., 193. oldal. szakasz biztonsági utasításait is!

7.1 Tudnivalók a jármű leállítási helyére vonatkozóan



FIGYELEM!

- Úgy állítsa le a járművet, hogy ne érhesse szennyeződés (ágak, levelek vagy hasonló dolgok) a vásznat.
- Tartsa távol a védőtetőt a szennyeződésektől, hogy megakadályozza a kidörzsölődéseket, foltokat és a penészedést.

7.2 A védőtető kinyitása



FIGYELMEZTETÉS! Sérülésveszély!

Tartson kellő távolságot tárgyaktól vagy más járművektől. Kinyitás után körben legalább 40 cm távolságnak kell lennie más tárgyaktól vagy járművektől.

- ▶ Pattintsa be a kézi hajtókart a védőtető tartójába (**1.** ábra, 3. oldal).
- ▶ Forgassa addig a kézi hajtókart, míg a védőtető kb. 1,5 m-re ki nem nyílik (**2.** ábra, 3. oldal).
- ▶ Tolja össze teljesen a jobb oldali kitámasztót az első lécben úgy, hogy szabadon tudja mozgatni (**3.** ábra, 4. oldal).
- ▶ Fordítsa oldalra a jobb oldali kitámasztót (**3.** ábra, 4. oldal).
- ▶ Hajtsa le a jobb oldali kitámasztót, majd állítsa fel a talajra (**4.** ábra, 4. oldal).
- ▶ Állítsa be a kitámasztót a kívánt magasságra (**5.** ábra, 5. oldal).
- ▶ Hajtsa fel a kitámasztó karját a kitámasztó rögzítéséhez (**6.** ábra, 5. oldal).
- ▶ Ugyanígy állítsa be a másik kitámasztót.
- ▶ Forgassa addig a kézi hajtókart, míg a védőtető a kívánt állásig ki nem nyílik. Függetlenül állítsa fel a kitámasztót az első lécben alá, hogy a kitámasztó mindig stabilan tartsa a védőtetőt.

- ▶ Kb. 1/4 fordulattal forgassa vissza a kézi hajtókart a vászon megfeszítéséhez.

**FIGYELEM! Sérülésveszély!**

A védőtető vászna nem lóghat be a széleken, hanem mindig feszesnek kell lennie. A laza vászon nekidörzsölődhet a karoknak, ami az anyag károsodását okozhatja. Hosszú védőtetőknél középen belóghat a vászon.

- ▶ Akassza ki a kézi hajtókart a védőtető tartójából.

A kitámasztó felállítása a talajra**FIGYELMEZTETÉS! Sérülésveszély**

- Kizárólag szilárd talajon állítsa fel a kitámasztót.
- Biztosítsa a kitámasztót csúszkálás ellen.

- ▶ Függőlegesen állítsa fel a kitámasztót az első lécz alatt.
- ▶ Biztosítsa a kitámasztót cövekekkel (7. ábra, 5. oldal).
- ▶ Az egyik kitámasztót állítsa kissé alacsonyabbra, hogy az első lécz enyhén ferde legyen. Így egyből lefolyhat a kis mennyiségű eső (8. ábra, 6. oldal).

A kitámasztó rögzítése a járművön

A védőtetőt közvetlenül rögzítheti a járművén, ha felszerelte a kitámasztók reteszeit.

- ▶ Tolja fel a retesz borítását (9. ábra, 6. oldal).
- ▶ Akassza be a kitámasztót a reteszbe (9. ábra, 6. oldal).
- ▶ Tolja le a retesz borítását (9. ábra, 6. oldal).
- ▶ Az egyik kitámasztót állítsa kissé alacsonyabbra, hogy az első lécz enyhén ferde legyen. Így egyből lefolyhat a kis mennyiségű eső (10. ábra, 6. oldal).

A feszítőrúd felszerelése

4 m-es vagy annál hosszabb védőtetőknél feszítőrudat kell rögzíteni a védőtető közepén. Ezáltal megakadályozható a védőtető belógása.

- Tolja össze a feszítőrudat (11. ábra, 7. oldal).
- Pattintsa be a feszítőrúd felső végét a házon lévő tartószerkezetbe (11. ábra, 7. oldal).
- Tolja be a feszítőrúd másik végét az első lécen lévő tartószerkezetbe (11. ábra, 7. oldal).

7.3 A védőtető behúzása



FIGYELEM!

- Csak akkor húzza be a védőtetőt, ha a vásznon nincs szennyeződés (ágak, levelek vagy hasonló dolgok). Ellenkező esetben behúzáskor sérülhet a védőtető.
- Tartsa távol a védőtetőt a szennyeződésektől, hogy megakadályozza a kidörzsölődéseket, foltokat és a penészedést.
- A védőtető behúzásakor ügyeljen arra, hogy ne szoruljanak be ágak vagy más tárgyak a védőtetőbe.

- Távolítsa el a vásznon lévő szennyeződések (ágak, levelek vagy hasonló dolgok).
- Oldja ki a kitámasztók rögzítését (cövekek vagy retesz a járművön).
- Pattintsa be a kézi hajtókar felső végét a védőtető tartójába.
- Forgassa addig a kézi hajtókart, míg a védőtető már csak kb. 1,5 m-re van nyitva. Függetlenül állítsa fel a kitámasztót az első léce alá, hogy a kitámasztó mindig stabilan tartsa a védőtetőt.
- Hajtsa le a jobb oldali kitámasztó karját a kitámasztó kioldásához.
- Tolja össze teljesen a kitámasztót.
- Hajtsa fel a jobb oldali kitámasztót.
- Fordítsa be a jobb oldali kitámasztót az első lécebe.
- Tolja be a jobb oldali kitámasztó alsó részét az első léce reteszébe.
- Ugyanígy csukja össze a másik kitámasztót.
- Forgassa addig a kézi hajtókart, míg a védőtető teljesen be nem záródik.

- Győződjön meg arról, hogy a védőtető teljesen be van-e húzva, mielőtt elindul. Az első lécnak szorosan a házra kell feküdnie.
- Akassza ki a kézi hajtókart a védőtető tartójából.

**FIGYELEM! Sérülésveszély!**

Ha nedves állapotban húzta be a védőtetőt, a lehető leghamarabb nyissa ki a védőtetőt és hagyja megszáradni a vásznat. Ha a nedves vászon hosszú ideig összecukva marad, akkor nyirkos marad és a színek kifakulhatnak.

8 Tisztítás és ápolás

8.1 Tisztítás

**FIGYELEM! Sérülésveszély!**

- Soha **ne** tisztítsa a védőtetőt nagynyomású tisztítóval.
- Ne használjon a tisztításhoz éles tisztítóeszközöket vagy kemény tárgyakat, mert azok a termék sérülését okozhatják.

- Távolítsa el minden szennyeződést (ágak, levelek vagy hasonló dolgok) a vászonzórol a kidörzsölődések, foltok és a penészedés elkerülése érdekében. Ellenkező esetben behúzáskor meg is sérülhet a védőtető.
- Tisztítsa meg rendszeresen a védőtető vásznát a por és szennyeződés eltávolítása érdekében:
 - ehhez használjon vizet 30 g öblítőszerrel és 30 g fehérítőt 10 l vízzel.
 - Ezzel szappanozza be a vásznat, majd hagyja hatni öt percig a tisztítófolyadékot.
 - Ezután mossa le tiszta vízzel alaposan a vásznat. Győződjön meg arról, hogy teljesen lemosa-e a fehérítős tisztítófolyadékot. Ellenkező esetben károsodhat a vászon.
 - Hagyja megszáradni a vásznat.

**MEGJEGYZÉS**

A gyártó javaslata:

- a vászon tisztításához használja a Dometic Clean&Care védőtető-tisztítót (cikkszám: 9103501116, beszerezhető a szervizpartnereken keresztül).

8.2 Kenés

- Szükség esetén kenje be a védőtető csuklóit paraffin viasszal, teflon- vagy szilikonolajjal.

8.3 Ellenőrzés



FIGYELMEZTETÉS!

Ne használja a védőtetőt, ha beállításokra vagy javításokra van szükség.

Sérülések észlelése esetén forduljon az illetékes szerviz-partnerhez (a címeket lásd az útmutató hátoldalán).

- Ellenőrizze rendszeresen a védőtető stabilitását és kopását, valamint a kritikus részek épségét.
- Ellenőrizze rendszeresen a védőtetőt:
 - ép a vászon?
 - Sértetlenek és kopási nyomoktól mentesek a karok és az első lécz?
 - Jól záródik a védőtető?

8.4 A csuklók csavarjainak utánhúzása

A csukló csavarjait az első terheléseket követően meg kell húzni:

- a védőtető első használata után
- 20000 km után vagy hat hónappal a védőtető beszerelését követően (attól függően, hogy melyik érkezik el előbb)

Ezenkívül a rendszeres járműellenőrzés során ellenőrizni kell a csukló csavarjait.

A csavarok utánhúzása érdekében forduljon a legközelebbi szerviz-partnerhez.

Szervizelési tudnivalók (12. ábra, 7. oldal)



FIGYELEM!

A csavarok meghúzási nyomatéka nem torzulhat, ezért a védőtető karjait nem érheti terhelés.

- A csuklókat nem érheti terhelés, ezért ne emelje fel az első léczet.
- Húzza meg a csavarokat 15 – 25 Nm nyomatékkal.

8.5 Kis lyukak kijavítása a vásznon

A kis lyukakat, amelyek a vásznon vagy azokon a helyeken keletkeztek, ahol levált a bevonat, önállóan is be lehet foltozni:

- ▶ dörzsöljön szét pamut ronggyal a sérült hely körül egy kevés folyékony vinil foltozót (cikkszám: 9103104018, szervizpartnereknél kapható)
- ✓ A folyékony vinil foltozó feloldja a bevonatot. A bevonat száradás közben lezárja a lyukat.
- ▶ Várja meg, hogy megszáradjon a sérülés helye, mielőtt újra behúzza a védőtetőt.

9 Szavatosság

A termékre a törvény szerinti szavatossági időszak érvényes. A termék meghibásodása esetén forduljon az illetékes szakkereskedőhöz vagy gyártói lerakathoz (a címeket lásd jelen útmutató hátoldalán).

A javításhoz, illetve a szavatossági adminisztrációhoz a következő dokumentumokat kell mellékelnie:

- a számla vásárlási dátummal rendelkező másolatát,
- a reklamáció okát vagy a hibát tartalmazó leírást.

10 Ártalmatlanítás

- ▶ A csomagolóanyagot lehetőleg a megfelelő újrahasznosítható hulladék közé tegye.



Ha a terméket véglegesen kivonja a forgalomból, kérjük, tájékozódjon a legközelebbi hulladékártalmatlanító központnál vagy a szakkereskedőjénél az idevonatkozó ártalmatlanítási előírásokkal kapcsolatban.

11 Műszaki adatok

PerfectWall PW1000					
Szélesség:	2,6 m	3 m	3,5 m	4 m	4,5 m
Kihúzás:	2,5 m				
Súly:	18,6 kg	21 kg	24 kg	27 kg	30 kg

PerfectWall PW1500				
Szélesség:	1,5 m	2,6 m	3 m	3,5 m
Kihúzás:	1 m	2 m	2,5 m	2,5 m / 2,75 m
Súly:	12 kg	18 kg	21 kg	24 kg

PerfectWall PW1500				
Szélesség:	4 m	4,5 m	5 m	5,5 m
Kihúzás:	2,5 m / 2,75 m			
Súly:	27 kg	30 kg	33 kg	36 kg

GERMANY**Dometic WAECO International GmbH**

Hollefeldstraße 63 · D-48282 Emsdetten

☎ +49 (0) 2572 879-195 · 📠 +49 (0) 2572 879-322

Mail: info@dometic-waeco.de · Internet: www.dometic-waeco.de

AUSTRALIA**Dometic Australia Pty. Ltd.**1 John Duncan Court
Varsity Lakes QLD 4227

☎ +61 7 55076000

📠 +61 7 55076001

Mail: sales@dometic-waeco.com.au

AUSTRIA**Dometic Austria GmbH**Neudorferstrasse 108
2353 Guntramsdorf

☎ +43 2236 908070

📠 +43 2236 90807060

Mail: info@waeco.at

BENELUX**Dometic Benelux B.V.**Ecustraart 3
NL-4879 NP Etten-Leur

☎ +31 76 5029000

📠 +31 76 5029090

Mail: info@dometic.nl

DENMARK**Dometic Denmark A/S**Nordensvej 15, Taulov
DK-7000 Fredericia

☎ +45 75585966

📠 +45 75586307

Mail: info@waeco.dk

FINLAND**Dometic Finland OY**

Mestarintie 4

FIN-01730 Vantaa

☎ +358 20 7413220

📠 +358 9 7593700

Mail: info@dometic.fi

FRANCE**Dometic SAS**ZA du Pré de la Dame Jeanne
F-60128 Plailly

☎ +33 3 44633500

📠 +33 3 44633518

Commercial : info@dometic.fr

SAV/Technique : service@dometic.fr

HONG KONG**WAECO Impex Ltd.**Suites 2207-2211 · 22/F · Tower 1
The Gateway · 25 Canton Road,

Tsim Sha Tsui · Kowloon

☎ +852 24611386

📠 +852 24665553

Mail: info@dometic-waeco.com.hk

HUNGARY**Dometic Plc. Sales Office**

Kerékgyártó u. 5.

H-1147 Budapest

☎ +36 1 468 4400

📠 +36 1 468 4401

Mail: budapest@dometic.hu

ITALY**Dometic Italy S.r.l.**

Via Virgilio, 3

I-47100 Forlì

☎ +39 0543 754901

📠 +39 0543 756631

Mail: info@dometic.it

NORWAY**Dometic Norway AS**

Skolmar 24

N-3232 Sandefjord

☎ +47 33428450

📠 +47 33428459

Mail: firmapost@waeco.no

POLAND**Dometic Poland Sp. z o.o.**

Ul. Puławska 435A

02-801 Warszawa

☎ +48 22 414 32 00

📠 +48 22 414 32 01

Mail: info@dometic.pl

RUSSIA**Dometic RUS LLC**Komsomolskaya square 6-1
107140 Moscow

☎ +7 495 780 79 39

📠 +7 495 916 56 53

Mail: info@dometic.ru

SLOVAKIA**Dometic Slovakia Sales Office Bratislava**

Nádražná 34/A

SK-900 28 Ivanka pri Dunaji

☎/📠 +421 2 45 529 680

Mail: bratislava@dometic.com

SPAIN**Dometic Spain S.L.**Avda. Sierra del Guadarrama, 16
E-28691 Villanueva de la Cañada
Madrid

☎ +34 902 111 042

📠 +34 900 100 245

Mail: info@dometic.es

SWEDEN**Dometic Scandinavia AB**

Gustaf Melins gata 7

S-42131 Västra Frölunda (Göteborg)

☎ +46 31 7341100

📠 +46 31 7341101

Mail: info@waeco.se

SWITZERLAND**Dometic Switzerland AG**

Riedackerstrasse 7a

CH-8153 Rümlang (Zürich)

☎ +41 44 8187171

📠 +41 44 8187191

Mail: info@dometic-waeco.ch

TAIWAN**WAECO Impex Ltd.**

Taipei Office

9F.-10, No. 1180, Zhongzheng Rd.,
Zhonghe Dist., New Taipei City 23586

☎ +886 2 22237225

📠 +886 2 81926742

Mail: marketing@waeco.com.tw

UNITED KINGDOM**Dometic UK Ltd.**

Dometic House · The Brewery

Blandford St. Mary

Dorset DT11 9LS

☎ +44 844 626 0133

📠 +44 844 626 0143

Mail: sales@dometic.co.uk

UNITED ARAB EMIRATES**Dometic Middle East FZCO**

P. O. Box 17860

S-D 6, Jebel Ali Freezone

Dubai

☎ +971 4 883 3858

📠 +971 4 883 3868

Mail: info@dometic.ae

UNITED STATES OF AMERICA**Dometic Marine Division**

2000 N. Andrews Ave. Extension

Pompano Beach, FL 33069 USA

☎ +1 954 973 2477

📠 +1 954 979 4414

Mail: marinesales@dometicusa.com